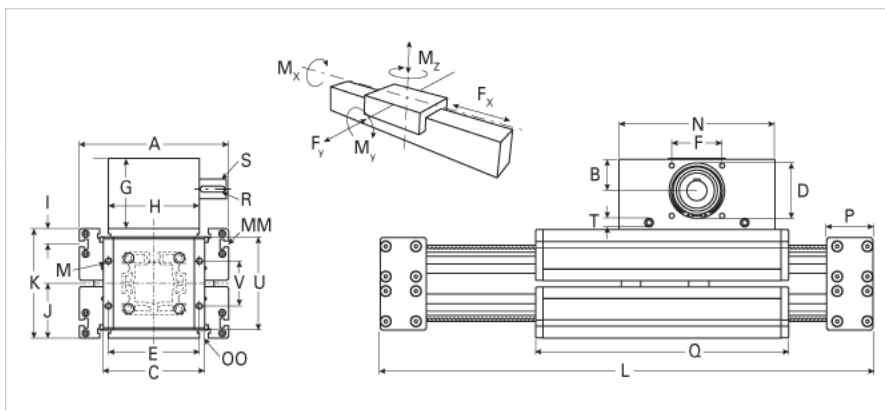
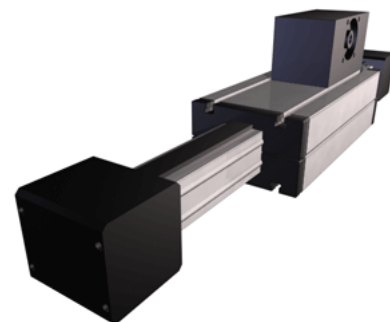


ELFZ 80S Extended Carriage

Call 800-321-7800 or visit us online at www.nookindustries.com to configure and order your ELFZ 80S Extended Carriage today!



| Details | |
|---|---------|
| Size | 80S |
| Belt | 8M50 |
| mm/Rev | 128 |
| Number of Teeth | 32 |
| Pully Diameter [mm] | 81.5 |
| Dimensions | |
| Basic Length L [mm] | 750 |
| A [mm] | 190 |
| B [mm] | 60 |
| C [mm] | 126 |
| D [mm] | 90 |
| E [mm] | 134 |
| F [mm] | 80 |
| G [mm] | 139 |
| H [mm] | 130 |
| I [mm] | 12.5 |
| J [mm] | 71 |
| K [mm] | 142 |
| M | M10 |
| MM | M6 |
| N [mm] | 270 |
| OO [mm] | M8 |
| P [mm] | 130 |
| Q [mm] | 489 |
| R [mm] | 8x7x40 |
| S [mm] | 30x45 |
| T | M10 |
| V [mm] | 70 |
| Shaft Diameter and Length [mm] | 30 x 45 |
| Key | 8x7x40 |
| Speed | |
| Speed Maximum [m/s] | 4 |
| Forces and Torques | |
| Drive Torque Maximum [Nm] | 120 |
| No-load torque [Nm] | 1.5 |
| Mz dynamic [Nm] | 440 |
| Mz static [Nm] | 600 |
| Fx dynamic [N] | 5400 |
| Fy dynamic [N] | 7200 |
| Fz dynamic [N] | 3600 |
| Mx dynamic [Nm] | 280 |
| My dynamic [Nm] | 460 |
| Fx static [N] | 6200 |
| Fy static [N] | 9200 |
| Fz static [N] | 6000 |
| Mx static [Nm] | 340 |
| My static [Nm] | 540 |
| Geometrical moments of inertia of aluminum profile | |
| Elastic modulus [N/mm ²] | 70000 |
| Ix [mm ⁴] | 1890000 |
| Iy [mm ⁴] | 1890000 |
| Weight | |

Additional Weight per 100 mm [kg]

1.20

Basic Weight [kg]

51.0
