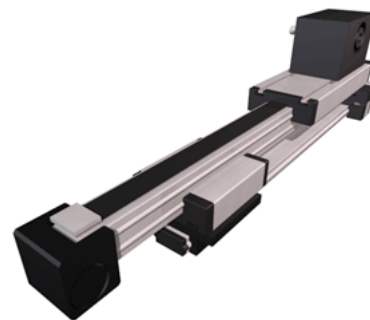
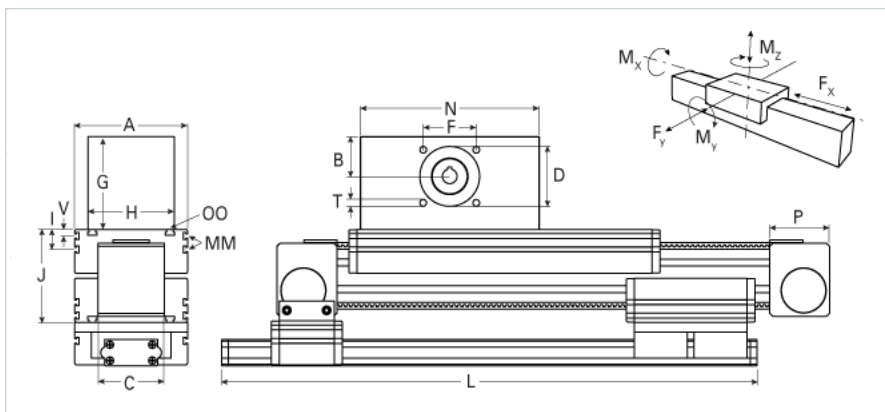


ELZT 80S Extended Carriage Low Profile Extension

Call 800-321-7800 or visit us online at www.nookindustries.com to configure and order your ELZT 80S Extended Carriage Low Profile Extension today!



Details	
Size	80S
Belt	8M50
mm/Rev	256
Number of Teeth	32
Pully Diameter [mm]	81.5
Dimensions	
Basic Length L [mm]	679
A [mm]	190
B [mm]	60
C [mm]	100
D [mm]	90
F [mm]	80
G [mm]	140
H [mm]	130
I [mm]	30
J [mm]	142
MM	M6
N [mm]	270
OO	M8
P [mm]	90
Q [mm]	489
T	M10
V [mm]	12.5
Shaft Diameter and Length [mm]	22 x 45
Key	6x6x40
Speed	
Speed Maximum [m/s]	5
Forces and Torques	
No-load torque [Nm]	1.2
Tensile force 0.2 sec [N]	2200
Tensile force permanent [N]	1800
Fy dynamic [N]	3600
Fx dynamic [N]	660
Fz dynamic [N]	1800
Mx dynamic [Nm]	140
My dynamic [Nm]	230
Mz dynamic [Nm]	220
Fx static [N]	825
Fy static [N]	4600
Fz static [N]	3000
Mx static [Nm]	170
My static [Nm]	270
Mz static [Nm]	300
Geometrical moments of inertia of aluminum profile	
Elastic modulus [N/mm ²]	70000
Ix [mm ⁴]	1899000
Iy [mm ⁴]	1897000
Weight	
Additional Weight per 100 mm [kg]	1.14
Basic Weight [kg]	26.0