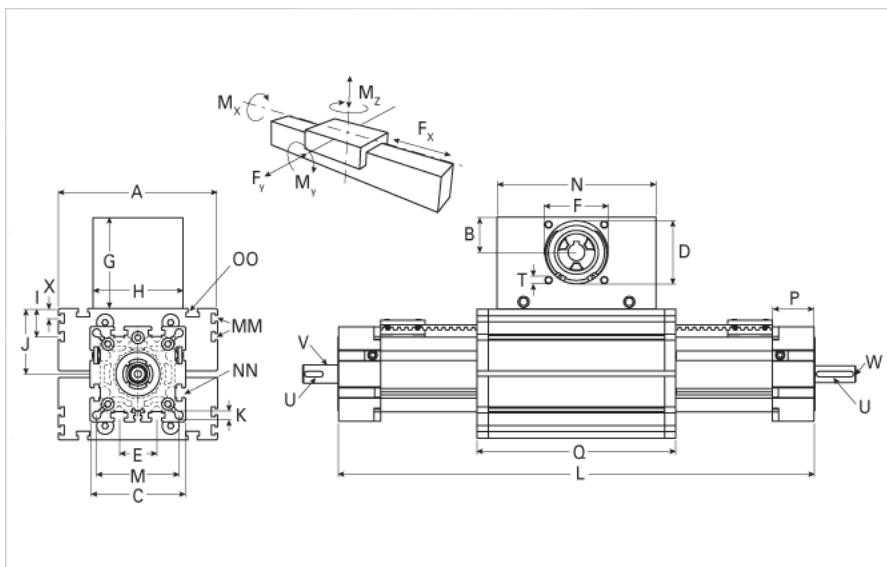
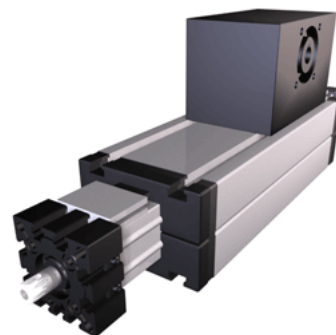


## ELSD 80 WAC Wide Belt Extended Carriage

Call 800-321-7800 or visit us online at [www.nookindustries.com](http://www.nookindustries.com) to configure and order your ELSD 80 WAC Wide Belt Extended Carriage today!



| Details                                |         |
|--|---------|
| Size                                   | 80      |
| Belt                                   | 8M50    |
| mm/Rev                                 | 256     |
| Number of Teeth                        | 32      |
| Pully Diameter [mm]                    | 81.5    |
| Dimensions                             |         |
| Basic Length L [mm]                    | 631     |
| A [mm]                                 | 170     |
| B [mm]                                 | 60      |
| C [mm]                                 | 102     |
| D [mm]                                 | 90      |
| E [mm]                                 | 40      |
| F [mm]                                 | 80      |
| G [mm]                                 | 140     |
| H [mm]                                 | 130     |
| I [mm]                                 | 30      |
| J [mm]                                 | 70      |
| K [mm]                                 | 8.5     |
| M [mm]                                 | 88      |
| MM                                     | M6      |
| N [mm]                                 | 270     |
| OO                                     | M10     |
| P [mm]                                 | 45      |
| Q [mm]                                 | 485     |
| T                                      | M10     |
| X [mm]                                 | 10      |
| V (Z Drive End) [mm]                   | 18 x 30 |
| U (Z Drive End) [mm]                   | 6x6x20  |
| V (Z Load End) [mm]                    | 20 x 30 |
| U (Z Load End) [mm]                    | 6x6x20  |
| W (Z Load End) [mm]                    | M10x20  |
| Shaft Diameter and Length [mm]         | 18 x 45 |
| Key                                    | 6x6x40  |
| Speed                                  |         |
| Speed Maximum [m/s]                    | 6       |
| Forces and Torques                     |         |
| No-load torque Stiction torque Mr [Nm] | 0.1     |
| No-load torque [Nm]                    | 1.1     |
| Tensile force 0.2 sec [N]              | 4300    |
| Tensile force permanent [N]            | 4000    |
| Fd [N]                                 | 250     |
| Mr [Nm]                                | 20      |
| Fx dynamic [N]                         | 3800    |
| Fy dynamic [N]                         | 2000    |
| Fz dynamic [N]                         | 1100    |
| Mx dynamic [Nm]                        | 55      |

|   |         |
|---|---------|
| My dynamic [Nm]   | 80      |
| Mz dynamic [Nm]   | 120     |
| Fx static [N]   | 4000    |
| Fy static [N]   | 3000    |
| Fz static [N]   | 1700    |
| Mx static [Nm]  | 90      |
| My static [Nm]  | 110     |
| Mz static [Nm]  | 150     |
| <b>Geometrical moments of inertia of aluminum profile</b> |         |
| Elastic modulus [N/mm <sup>2</sup> ]                      | 70000   |
| Ix [mm <sup>4</sup> ]                                     | 1899000 |
| Iy [mm <sup>4</sup> ]                                     | 1897000 |
| <b>Weight</b>   |         |
| Additional Weight per 100 mm [kg]                         | 1.30    |
| Basic Weight [kg]   | 13.7    |