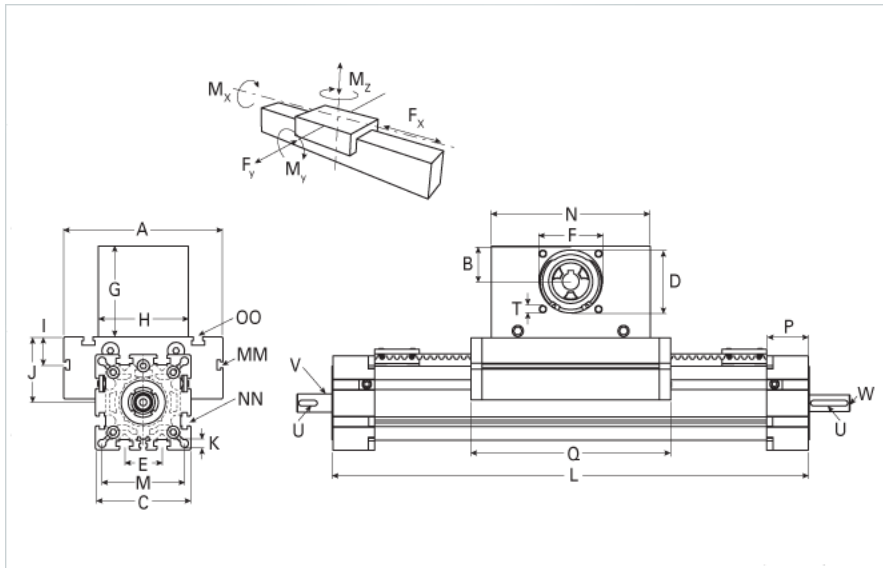
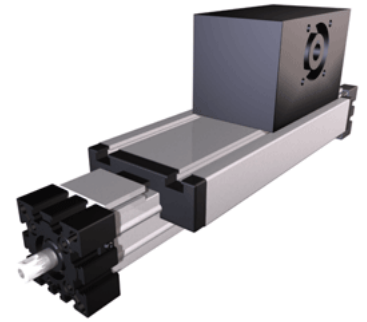


## ELSD 100 Wide Belt Extended Carriage

Call 800-321-7800 or visit us online at [www.nookindustries.com](http://www.nookindustries.com) to configure and order your ELSD 100 Wide Belt Extended Carriage today!



| Details                                |         |
|--|---------|
| Size                                   | 100     |
| Belt                                   | 8M70    |
| mm/Rev                                 | 304     |
| Number of Teeth                        | 38      |
| Pully Diameter [mm]                    | 96.8    |
| Dimensions                             |         |
| Basic Length L [mm]                    | 765     |
| A [mm]                                 | 230     |
| B [mm]                                 | 62      |
| C [mm]                                 | 130     |
| D [mm]                                 | 110     |
| E [mm]                                 | 50      |
| F [mm]                                 | 100     |
| G [mm]                                 | 143     |
| H [mm]                                 | 160     |
| I [mm]                                 | 29      |
| J [mm]                                 | 89      |
| K [mm]                                 | 10.5    |
| M [mm]                                 | 112     |
| MM                                     | M10     |
| N [mm]                                 | 310     |
| OO                                     | M10     |
| P [mm]                                 | 55      |
| Q [mm]                                 | 575     |
| T                                      | M10     |
| X [mm]                                 | -       |
| V (Z Drive End) [mm]                   | 22 x 35 |
| U (Z Drive End) [mm]                   | 6x6x30  |
| V (Z Load End) [mm]                    | 25 x 35 |
| U (Z Load End) [mm]                    | 8x7x30  |
| W (Z Load End) [mm]                    | M12x25  |
| Shaft Diameter and Length [mm]         | 22 x 45 |
| Key                                    | 6x6x40  |
| Speed                                  |         |
| Speed Maximum [m/s]                    | 8       |
| Forces and Torques                     |         |
| No-load torque Stiction torque Mr [Nm] | 0.1     |
| No-load torque [Nm]                    | 1.5     |
| Tensile force 0.2 sec [N]              | 6350    |
| Tensile force permanent [N]            | 5900    |
| Fd [N]                                 | 400     |
| Mr [Nm]                                | 30      |
| Fx dynamic [N]                         | 5750    |
| Fy dynamic [N]                         | 6500    |
| Fz dynamic [N]                         | 2200    |
| Mx dynamic [Nm]                        | 230     |

|   |         |
|---|---------|
| My dynamic [Nm]   | 270     |
| Mz dynamic [Nm]   | 500     |
| Fx static [N]   | 5900    |
| Fy static [N]   | 8000    |
| Fz static [N]   | 3600    |
| Mx static [Nm]  | 300     |
| My static [Nm]  | 400     |
| Mz static [Nm]  | 750     |
| <b>Geometrical moments of inertia of aluminum profile</b> |         |
| Elastic modulus [N/mm <sup>2</sup> ]                      | 70000   |
| Ix [mm <sup>4</sup> ]                                     | 4440000 |
| Iy [mm <sup>4</sup> ]                                     | 4480000 |
| <b>Weight</b>   |         |
| Additional Weight per 100 mm [kg]                         | 1.70    |
| Basic Weight [kg]   | 33.4    |