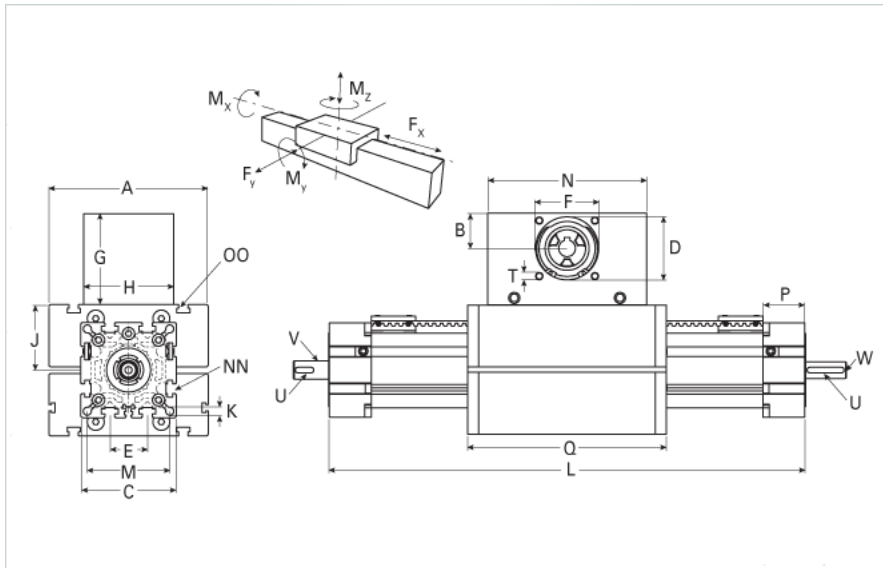
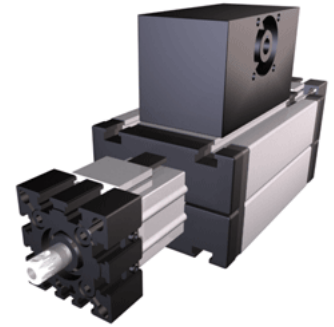


## ELSD 60 WAC

Call 800-321-7800 or visit us online at [www.nookindustries.com](http://www.nookindustries.com) to configure and order your ELSD 60 WAC today!



### Details

Size	60
Belt	5M25
mm/Rev	130
Number of Teeth	26
Pully Diameter [mm]	41.4

### Dimensions

Basic Length L [mm]	296
A [mm]	144
B [mm]	30
C [mm]	82
D [mm]	47
E [mm]	30
F [mm]	42
G [mm]	80
H [mm]	80
I [mm]	-
J [mm]	49
K [mm]	8.5
M [mm]	69
MM	-
N [mm]	130
NN	M8
OO	M8
P [mm]	35
Q [mm]	184
T	M6
X [mm]	-
V (Z Drive End) [mm]	14 x 25
U (Z Drive End) [mm]	5x5x20
V (Z Load End) [mm]	17 x 25
U (Z Load End) [mm]	5x5x20
W (Z Load End) [mm]	M8x20
Shaft Diameter and Length [mm]	14 x 35
Key	5x5x28

### Speed

Speed Maximum [m/s]	5
---------------------	---

### Forces and Torques

No-load torque Stiction torque Mr [Nm]	0.1
No-load torque [Nm]	0.9
Tensile force 0.2 sec [N]	1000
Tensile force permanent [N]	900
Fd [N]	150
Mr [Nm]	10
Fx dynamic [N]	800
Fy dynamic [N]	2000
Fz dynamic [N]	1100

Mx dynamic [Nm]	43
My dynamic [Nm]	70
Mz dynamic [Nm]	100
Fx static [N]	894
Fy static [N]	3000
Fz static [N]	1700
Mx static [Nm]	67
My static [Nm]	90
Mz static [Nm]	120
<b>Geometrical moments of inertia of aluminum profile</b>	
Elastic modulus [N/mm <sup>2</sup> ]	70000
Ix [mm <sup>4</sup> ]	679000
Iy [mm <sup>4</sup> ]	697000
<b>Weight</b>	
Additional Weight per 100 mm [kg]	0.87
Basic Weight [kg]	5.9