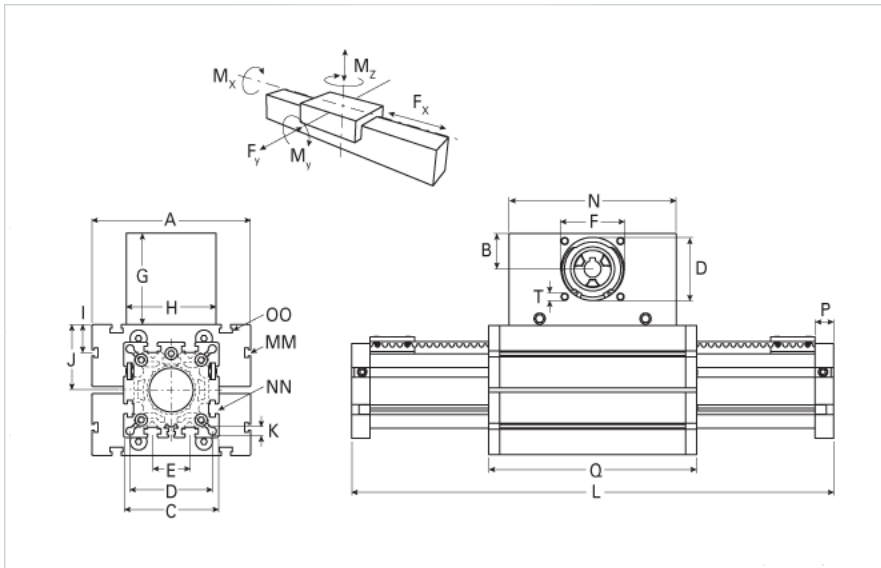
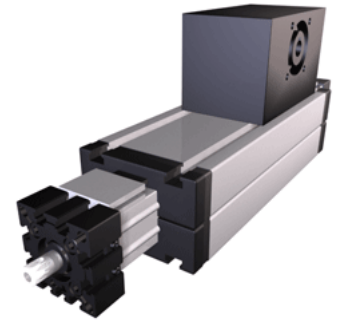


ELSZ 125 WAC Wide Belt Extended Carriage

Call 800-321-7800 or visit us online at www.nookindustries.com to configure and order your ELSZ 125 WAC Wide Belt Extended Carriage today!



Details	
Size	125
Belt	8M100
mm/Rev	304
Number of Teeth	38
Pully Diameter [mm]	96.8
Dimensions	
Basic Length L [mm]	894
A [mm]	295
B [mm]	62
C [mm]	165
D [mm]	110
E [mm]	60
F [mm]	100
G [mm]	139
H [mm]	180
I [mm]	30
J [mm]	107.5
K [mm]	M10
MM	M10
N [mm]	310
NN	M12
O [mm]	140
OO	M12
P [mm]	30
Q [mm]	664
T	M10
V [mm]	-
Shaft Diameter and Length [mm]	40 x 55
Key	12x8x50
Speed	
Speed Maximum [m/s]	10
Forces and Torques	
No-load torque [Nm]	1.8
Tensile force 0.2 sec [N]	8500
Tensile force permanent [N]	7900
Fx dynamic [N]	7500
Fy dynamic [N]	9000
Fz dynamic [N]	4500
Mx dynamic [Nm]	450
My dynamic [Nm]	600
Mz dynamic [Nm]	1150
Fx static [N]	7900
Fy static [N]	12000
Fz static [N]	6000
Mx static [Nm]	600
My static [Nm]	750

Mz static [Nm]	1350
Geometrical moments of inertia of aluminum profile	
Elastic modulus [N/mm ²]	70000
Ix [mm ⁴]	10150000
Iy [mm ⁴]	10150000
Weight	
Additional Weight per 100 mm [kg]	1.96
Basic Weight [kg]	57.4