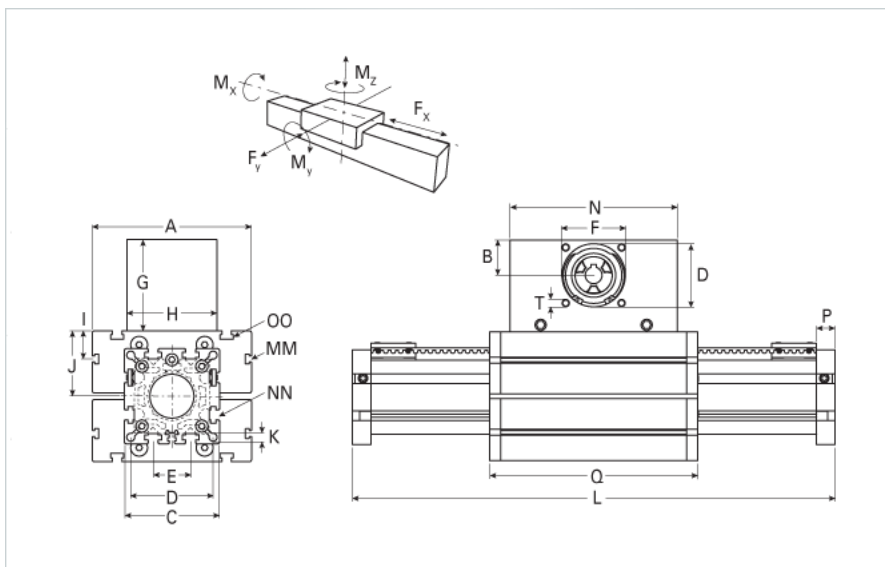
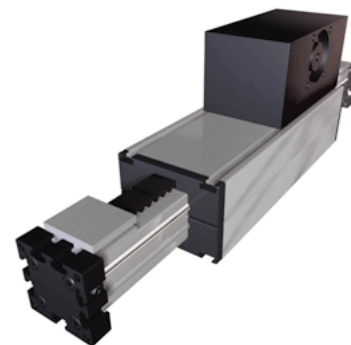


ELSZ 125 WAC Extended Carriage

Call 800-321-7800 or visit us online at www.nookindustries.com to configure and order your ELSZ 125 WAC Extended Carriage today!



| Details | |
|--------------------------------|---------|
| Size | 125 |
| Belt | 8M70 |
| mm/Rev | 304 |
| Number of Teeth | 38 |
| Pully Diameter [mm] | 96.8 |
| Dimensions | |
| Basic Length L [mm] | 894 |
| A [mm] | 295 |
| B [mm] | 62 |
| C [mm] | 165 |
| D [mm] | 110 |
| E [mm] | 60 |
| F [mm] | 100 |
| G [mm] | 139 |
| H [mm] | 160 |
| I [mm] | 30 |
| J [mm] | 107.5 |
| K [mm] | M10 |
| MM | M10 |
| N [mm] | 310 |
| NN | M12 |
| O [mm] | 140 |
| OO | M12 |
| P [mm] | 30 |
| Q [mm] | 664 |
| T | M10 |
| V [mm] | - |
| Shaft Diameter and Length [mm] | 30 x 55 |
| Key | 8x7x50 |
| Speed | |
| Speed Maximum [m/s] | 10 |
| Forces and Torques | |
| No-load torque [Nm] | 1.8 |
| Tensile force 0.2 sec [N] | 6350 |
| Tensile force permanent [N] | 5900 |
| Fx dynamic [N] | 5750 |
| Fy dynamic [N] | 9000 |
| Fz dynamic [N] | 4500 |
| Mx dynamic [Nm] | 450 |
| My dynamic [Nm] | 600 |
| Mz dynamic [Nm] | 1150 |
| Fx static [N] | 5900 |
| Fy static [N] | 12000 |
| Fz static [N] | 6000 |
| Mx static [Nm] | 600 |
| My static [Nm] | 750 |

| | |
|---|----------|
| Mz static [Nm] | 1350 |
| Geometrical moments of inertia of aluminum profile | |
| Elastic modulus [N/mm ²] | 70000 |
| Ix [mm ⁴] | 10150000 |
| Iy [mm ⁴] | 10150000 |
| Weight | |
| Additional Weight per 100 mm [kg] | 1.94 |
| Basic Weight [kg] | 54.5 |