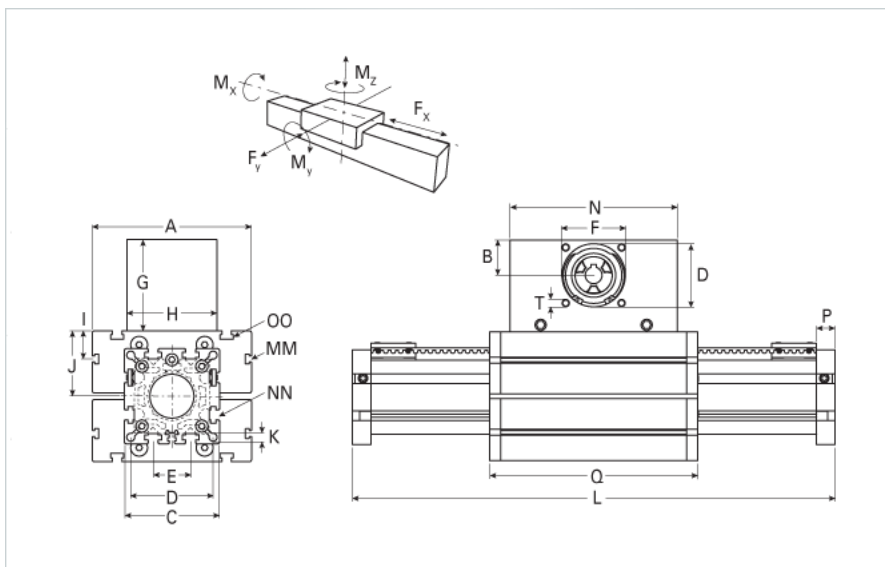
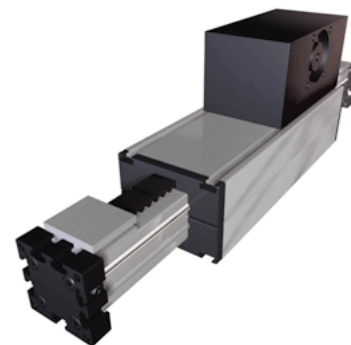


ELSZ 100 WAC Extended Carriage

Call 800-321-7800 or visit us online at www.nookindustries.com to configure and order your ELSZ 100 WAC Extended Carriage today!



Details	
Size	100
Belt	8M50
mm/Rev	256
Number of Teeth	32
Dimensions	
Basic Length L [mm]	776
A [mm]	230
B [mm]	60
C [mm]	130
D [mm]	90
E [mm]	50
F [mm]	80
G [mm]	130
H [mm]	130
I [mm]	30
J [mm]	90
K [mm]	10.5
MM	M10
N [mm]	270
NN	M12
O [mm]	112
OO	M10
P [mm]	30
Q [mm]	551
T	M10
V [mm]	-
Shaft Diameter and Length [mm]	22 x 45
Key	6x6x40
Speed	
Speed Maximum [m/s]	8
Forces and Torques	
No-load torque [Nm]	1.5
Tensile force 0.2 sec [N]	4300
Tensile force permanent [N]	4000
Fx dynamic [N]	3800
Fy dynamic [N]	6500
Fz dynamic [N]	2200
Mx dynamic [Nm]	230
My dynamic [Nm]	270
Mz dynamic [Nm]	500
Fx static [N]	4000
Fy static [N]	8000
Fz static [N]	3600
Mx static [Nm]	300
My static [Nm]	400
Mz static [Nm]	750

Geometrical moments of inertia of aluminum profile

Elastic modulus [N/mm ²]	70000
I _x [mm ⁴]	4440000
I _y [mm ⁴]	4480000

Weight

Additional Weight per 100 mm [kg]	1.60
Basic Weight [kg]	25.8

Values for Calculating Inertias

Pulley Material - Drive Pulley (x1)	Aluminum
Pulley Material - Idler Pulleys (x2)	Plastic
Pulley Diameter [mm]	81.49
Effective Pulley Width [mm]	130
Belt Weight [kg/m]	0.355
Standard Carriage Weight [kg]	24.25
No-load torque [Nm]	1.5
Friction Coefficient	0.01