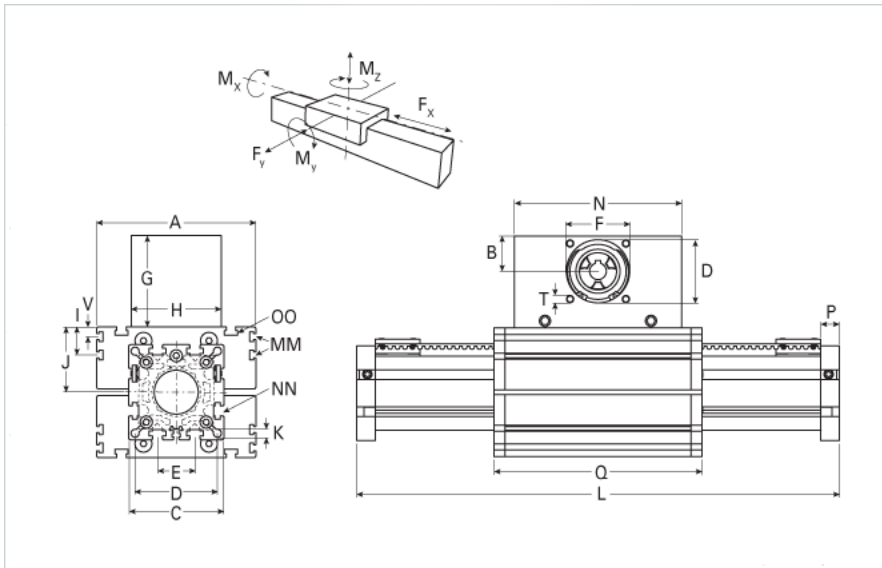
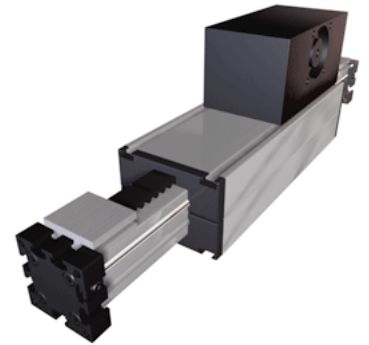


## ELSZ 80S WAC Extended Carriage

Call 800-321-7800 or visit us online at [www.nookindustries.com](http://www.nookindustries.com) to configure and order your ELSZ 80S WAC Extended Carriage today!



<b>Details</b>	
Size	80S
Belt	8M30
mm/Rev	192
Number of Teeth	24
Pully Diameter [mm]	61.1
<b>Dimensions</b>	
Basic Length L [mm]	565
A [mm]	190
B [mm]	39
C [mm]	102
D [mm]	68
E [mm]	40
F [mm]	60
G [mm]	100
H [mm]	100
I [mm]	30
J [mm]	71
K [mm]	8.5
MM	M6
N [mm]	180
NN	M8
O [mm]	88
OO	M8
P [mm]	20
Q [mm]	419
T	M8
V [mm]	12.5
Shaft Diameter and Length [mm]	18 x 45
Key	6x6x40
<b>Speed</b>	
Speed Maximum [m/s]	8
<b>Forces and Torques</b>	
No-load torque [Nm]	1.2
Tensile force 0.2 sec [N]	2090
Tensile force permanent [N]	1900
Fx dynamic [N]	1800
Fy dynamic [N]	3600
Fz dynamic [N]	1800
Mx dynamic [Nm]	140
My dynamic [Nm]	230
Mz dynamic [Nm]	220
Fx static [N]	1900
Fy static [N]	4600
Fz static [N]	3000
Mx static [Nm]	170
My static [Nm]	270

Mz static [Nm]	300
<b>Geometrical moments of inertia of aluminum profile</b>	
Elastic modulus [N/mm <sup>2</sup> ]	70000
Ix [mm <sup>4</sup> ]	1899000
Iy [mm <sup>4</sup> ]	1897000
<b>Weight</b>	
Additional Weight per 100 mm [kg]	1.00
Basic Weight [kg]	12.0