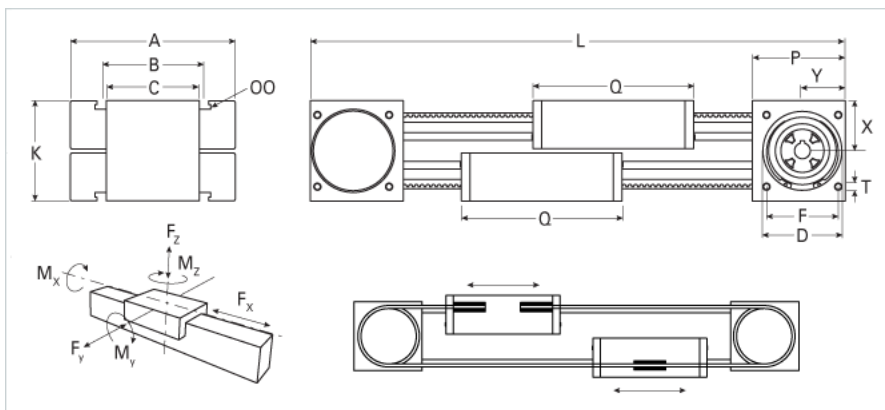
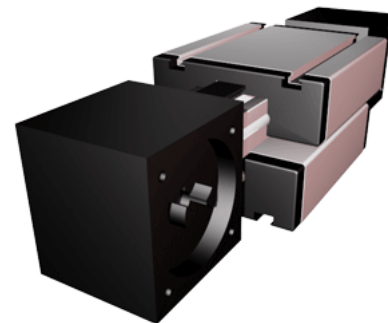


ELZG 60S

Call 800-321-7800 or visit us online at www.nookindustries.com to configure and order your ELZG 60S today!



Details	
Size	60S
Belt	5M25
mm/Rev	220
Number of Teeth	44
Pully Diameter [mm]	70.0
Dimensions	
Basic Length L [mm]	390
A [mm]	170
B [mm]	108
C [mm]	88
D [mm]	80
F [mm]	70
G [mm]	-
H [mm]	-
K [mm]	98
MM	-
OO	M8
P [mm]	95
Q [mm]	194
T	M8
X [mm]	49
Y [mm]	46
Shaft Diameter and Length [mm]	18 x 45
Key	6x6x40
Speed	
Speed Maximum [m/s]	7
Forces and Torques	
No-load torque [Nm]	0.7
Tensile force 0.2 sec [N]	1000
Tensile force permanent [N]	900
Fx dynamic [N]	800
Fy dynamic [N]	3100
Fz dynamic [N]	1600
Mx dynamic [Nm]	65
My dynamic [Nm]	140
Mz dynamic [Nm]	170
Fx static [N]	894
Fy static [N]	4100
Fz static [N]	2160
Mx static [Nm]	88
My static [Nm]	190
Mz static [Nm]	230
Geometrical moments of inertia of aluminum profile	
Elastic modulus [N/mm ²]	70000
Ix [mm ⁴]	679000
Iy [mm ⁴]	697000
Weight	
Additional Weight per 100 mm [kg]	0.65
Basic Weight [kg]	10.3