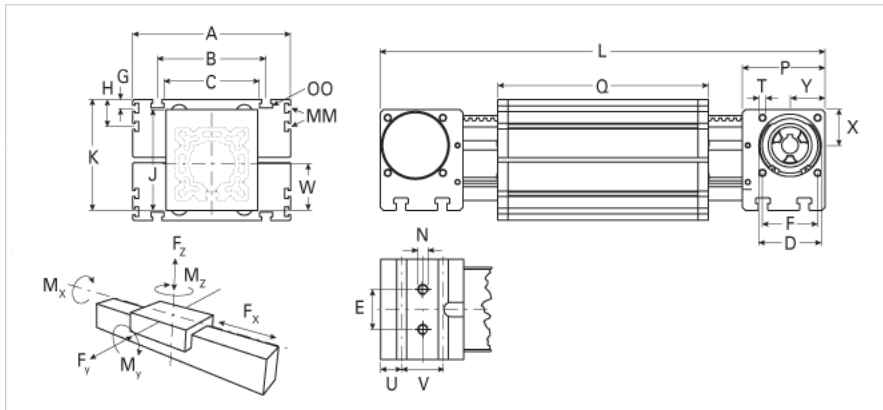
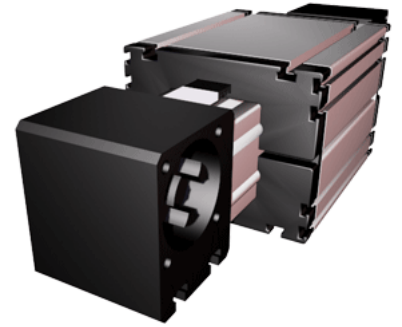


## ELZex 80S WAC

Call 800-321-7800 or visit us online at [www.nookindustries.com](http://www.nookindustries.com) to configure and order your ELZex 80S WAC today!



<b>Details</b>	
Size	80S
Belt	8M30
mm/Rev	192
Number of Teeth	24
<b>Dimensions</b>	
Basic Length L [mm]	415
A [mm]	190
B [mm]	126
C [mm]	100
D [mm]	68
E [mm]	40
F [mm]	60
G [mm]	12.5
H [mm]	30
J [mm]	110
K [mm]	122
MM	M6
N	M10
OO	M8
P [mm]	90
Q [mm]	234
T	M8
U [mm]	22.5
V [mm]	45
W [mm]	51
X [mm]	39
Y [mm]	38
Shaft Diameter and Length [mm]	18 x 45
Key	6x6x40
<b>Speed</b>	
Speed Maximum [m/s]	1
<b>Forces and Torques</b>	
No-load torques [Nm]	1.2
Tensile force permanent [N]	1083
Fx dynamic [N]	866
Fy dynamic [N]	1775
Fz dynamic [N]	842
Mx dynamic [Nm]	54
My dynamic [Nm]	70
Mz dynamic [Nm]	146
Fx static [N]	1083
Fy static [N]	2219
Fz static [N]	1052
Mx static [Nm]	67
My static [Nm]	87
Mz static [Nm]	182
<b>Geometrical moments of inertia of aluminum profile</b>	
Elastic modulus [N/mm <sup>2</sup> ]	70000
Ix [mm <sup>4</sup> ]	1899000
Iy [mm <sup>4</sup> ]	1897000
<b>Weight</b>	
Additional Weight per 100 mm [kg]	1.00

Basic Weight [kg]	11.0
<b>Values for Calculating Inertias</b>	
Pulley Material	Steel
Pulley Diameter [mm]	61.12
Effective Pulley Width [mm]	100
Belt Weight [kg/m]	0.256
Standard Carriage Weight [kg]	7.04
No-load torque [Nm]	1.2
Friction Coefficient	0.01