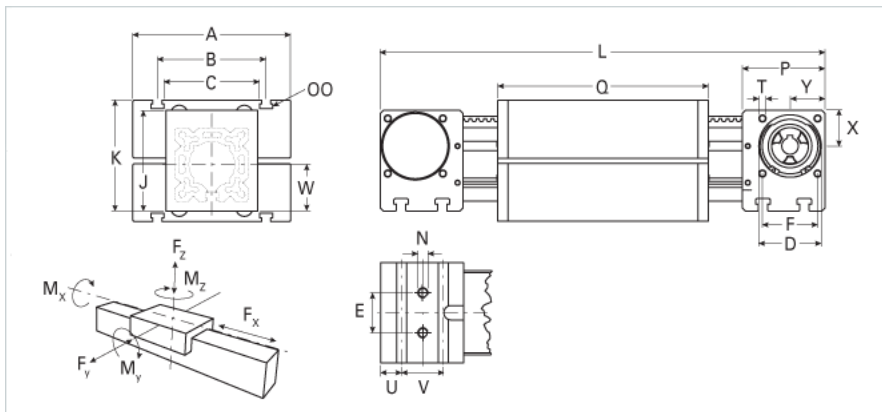
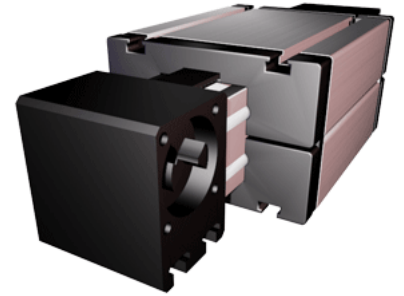


ELZex 60 WAC

Call 800-321-7800 or visit us online at www.nookindustries.com to configure and order your ELZex 60 WAC today!



Details

Size	60
Belt	5M25
mm/Rev	130
Number of Teeth	26
Pully Diameter [mm]	41.4

Dimensions

Basic Length L [mm]	306
A [mm]	144
B [mm]	96
C [mm]	80
D [mm]	47
E [mm]	30
F [mm]	42
G [mm]	-
H [mm]	-
J [mm]	82
K [mm]	90
MM	-
N	M8
OO	M8
P [mm]	59
Q [mm]	184
T	M6
U [mm]	15
V [mm]	30
W [mm]	41
X [mm]	27
Y [mm]	26
Shaft Diameter and Length [mm]	14 x 35
Key	5x5x28

Speed

Speed Maximum [m/s]	1
---------------------	---

Forces and Torques

No-load torques [Nm]	0.6
Tensile force permanent [N]	312
Fx dynamic [N]	250
Fy dynamic [N]	1064
Fz dynamic [N]	594
Mx dynamic [Nm]	29
My dynamic [Nm]	32
Mz dynamic [Nm]	56
Fx static [N]	312
Fy static [N]	1330
Fz static [N]	742
Mx static [Nm]	36
My static [Nm]	39
Mz static [Nm]	70

Geometrical moments of inertia of aluminum profile

Elastic modulus [N/mm ²]	70000
Ix [mm ⁴]	679000
Iy [mm ⁴]	697000

Weight

Additional Weight per 100 mm [kg]

0.62

Basic Weight [kg]

4.8
