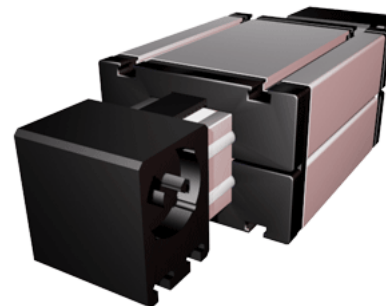
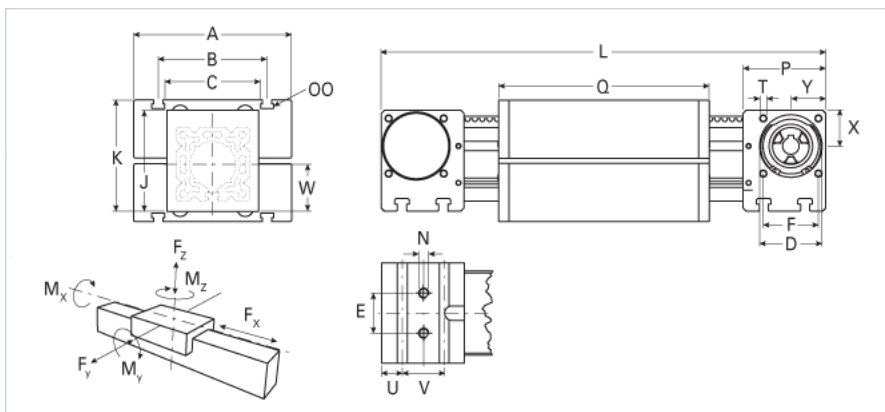


ELZ 60 WAC

Call 800-321-7800 or visit us online at www.nookindustries.com to configure and order your ELZ 60 WAC today!



| Details | |
|---|---------|
| Size | 60 |
| Belt | 5M25 |
| mm/Rev | 130 |
| Number of Teeth | 26 |
| Dimensions | |
| Basic Length L [mm] | 306 |
| A [mm] | 144 |
| B [mm] | 96 |
| C [mm] | 80 |
| D [mm] | 47 |
| E [mm] | 30 |
| F [mm] | 42 |
| G [mm] | - |
| H [mm] | - |
| J [mm] | 82 |
| K [mm] | 90 |
| MM T-Nut | - |
| N - Bolt Size | M8 |
| OO - T-Nut | M8 |
| P [mm] | 59 |
| Q [mm] | 184 |
| T T-Nut | M6 |
| U [mm] | 15 |
| V [mm] | 30 |
| W [mm] | 41 |
| X [mm] | 27 |
| Y [mm] | 26 |
| Shaft Diameter and Length [mm] | 14 x 35 |
| Key | 5x5x28 |
| Speed | |
| Speed Maximum [m/s] | 5 |
| Forces and Torques | |
| No-load torque [Nm] | 0.6 |
| Tensile force 0.2 sec [N] | 1000 |
| Tensile force permanent [N] | 900 |
| Fx dynamic [N] | 800 |
| Fy dynamic [N] | 2000 |
| Fz dynamic [N] | 1100 |
| Mx dynamic [Nm] | 43 |
| My dynamic [Nm] | 70 |
| Mz dynamic [Nm] | 100 |
| Fx static [N] | 894 |
| Fy static [N] | 3000 |
| Fz static [N] | 1700 |
| Mx static [Nm] | 67 |
| My static [Nm] | 90 |
| Mz static [Nm] | 120 |
| Geometrical moments of inertia of aluminum profile | |
| Elastic modulus [N/mm ²] | 70000 |
| Ix [mm ⁴] | 679000 |
| Iy [mm ⁴] | 697000 |
| Weight | |

| | |
|--|-------|
| Additional Weight per 100 mm [kg] | 0.62 |
| Basic Weight [kg] | 4.8 |
| Values for Calculating Inertias | |
| Pulley Material | Steel |
| Pulley Diameter [mm] | 41.38 |
| Effective Pulley Width [mm] | 80.0 |
| Belt Weight [kg/m] | 0.123 |
| Standard Carriage Weight [kg] | 3.13 |
| No-load torque [Nm] | 0.6 |
| Friction Coefficient | 0.01 |