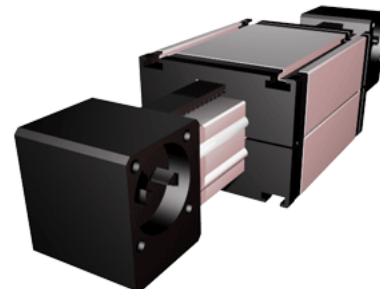
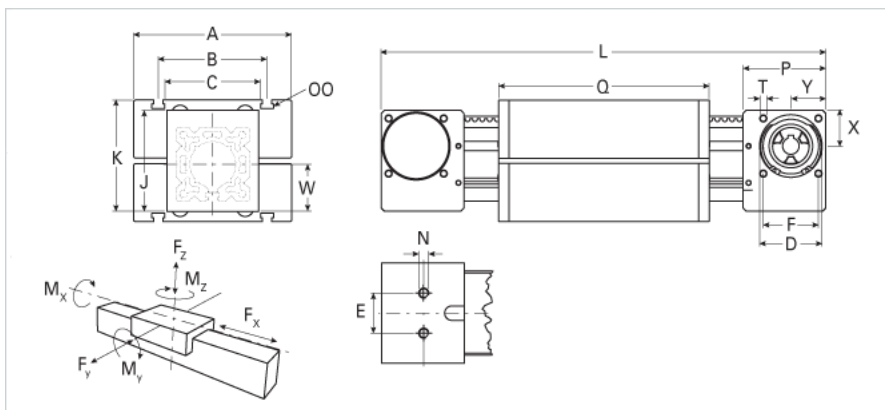


## ELZ 30 WAC

Call 800-321-7800 or visit us online at [www.nookindustries.com](http://www.nookindustries.com) to configure and order your ELZ 30 WAC today!



<b>Details</b>	
Size	30
Belt	3M12
mm/Rev	75
Number of Teeth	25
Pully Diameter [mm]	23.9
<b>Dimensions</b>	
Basic Length L [mm]	170
A [mm]	70
B [mm]	56
C [mm]	42
D [mm]	28
E [mm]	13
F [mm]	25
G [mm]	-
H [mm]	-
J [mm]	44
K [mm]	47
MM T-Nut	-
N - Bolt Size	M5
OO - T-Nut	M6
P [mm]	36
Q [mm]	94
T T-Nut	M4
U [mm]	-
V [mm]	-
W [mm]	21
X [mm]	16
Y [mm]	16
Shaft Diameter and Length [mm]	6 x 15
Key	2x2x12
<b>Speed</b>	
Speed Maximum [m/s]	2
<b>Forces and Torques</b>	
No-load torque [Nm]	0.2
Tensile force 0.2 sec [N]	280
Tensile force permanent [N]	200
Fx dynamic [N]	180
Fy dynamic [N]	60
Fz dynamic [N]	60
Mx dynamic [Nm]	5
My dynamic [Nm]	6
Mz dynamic [Nm]	7
Fx static [N]	200
Fy static [N]	90
Fz static [N]	90
Mx static [Nm]	10
My static [Nm]	13
Mz static [Nm]	14
<b>Geometrical moments of inertia of aluminum profile</b>	
Elastic modulus [N/mm <sup>2</sup> ]	70000
Ix [mm <sup>4</sup> ]	40900
Iy [mm <sup>4</sup> ]	40000

---

**Weight**

---

Additional Weight per 100 mm [kg]

0.13

Basic Weight [kg]

0.8

---