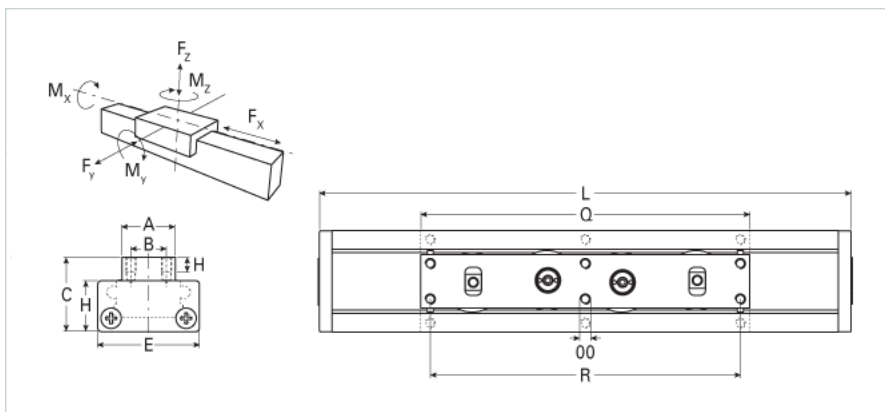
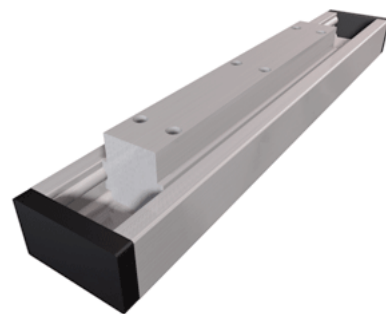


## UL 40 Compact Carriage

Call 800-321-7800 or visit us online at [www.nookindustries.com](http://www.nookindustries.com) to configure and order your UL 40 Compact Carriage today!



<b>Details</b>	
Size	40
<b>Dimensions</b>	
A [mm]	20
B [mm]	13
C [mm]	33
E [mm]	40
H [mm]	22
Basic Length L [mm]	160
OO	M5x8
P [mm]	6
Q [mm]	146
R [mm]	120
S [mm]	6.8
T [mm]	7.3
<b>Speed</b>	
Speed Maximum [m/s]	4
<b>Forces and Torques</b>	
Fx dynamic [N]	-
Fy dynamic [N]	700
Fz dynamic [N]	650
Mx dynamic [N]	20
My dynamic [N]	18
Mz dynamic [N]	25
Fx static [N]	-
Fy static [N]	1200
Fz static [N]	900
Mx static [N]	25
My static [N]	32
Mz static [N]	35
<b>Geometrical moments of inertia of aluminum profile</b>	
Elastic modulus [N/mm <sup>2</sup> ]	70000
Ix [mm <sup>4</sup> ]	15700
Iy [mm <sup>4</sup> ]	65400
<b>Weight</b>	
Additional Weight per 100 mm [kg]	0.13
Basic Weight [kg]	1.2