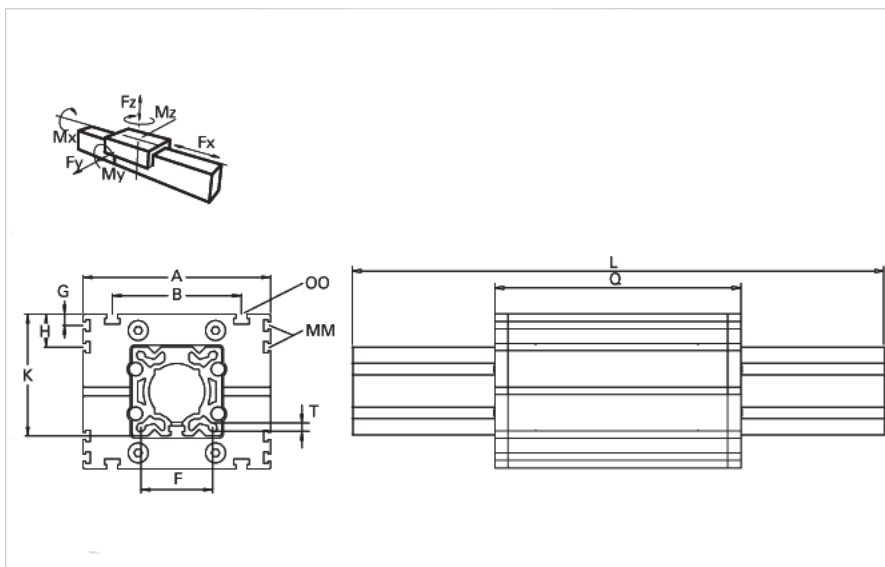
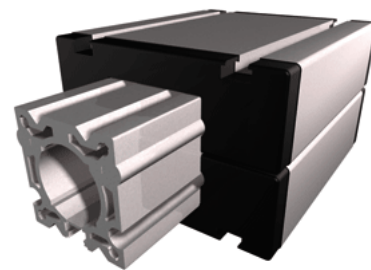


ER 125 WAC

Call 800-321-7800 or visit us online at www.nookindustries.com to configure and order your ER 125 WAC today!



Details	
Size	125
Dimensions	
Basic Length L [mm]	393
A [mm]	295
B [mm]	200
F [mm]	100
G [mm]	-
H [mm]	30
J	M12
K [mm]	170
MM	M10
OO	M10
Q [mm]	389
T-Diameter	M12
Forces and Torques	
Fx dynamic [N]	-
Fy dynamic [N]	9000
Fz dynamic [N]	4500
Mx dynamic [Nm]	1450
My dynamic [Nm]	600
Mz dynamic [Nm]	1150
Fx static [N]	-
Fy static [N]	12000
Fz static [N]	6000
Mx static [Nm]	600
My static [Nm]	750
Mz static [Nm]	1350
Geometrical moments of inertia of aluminum profile	
Elastic modulus [N/mm ²]	70000
Ix [mm ⁴]	10200000
Iy [mm ⁴]	10200000
Weight	
Additional Weight per 100 mm [kg]	2.05
Basic Weight [kg]	20.3