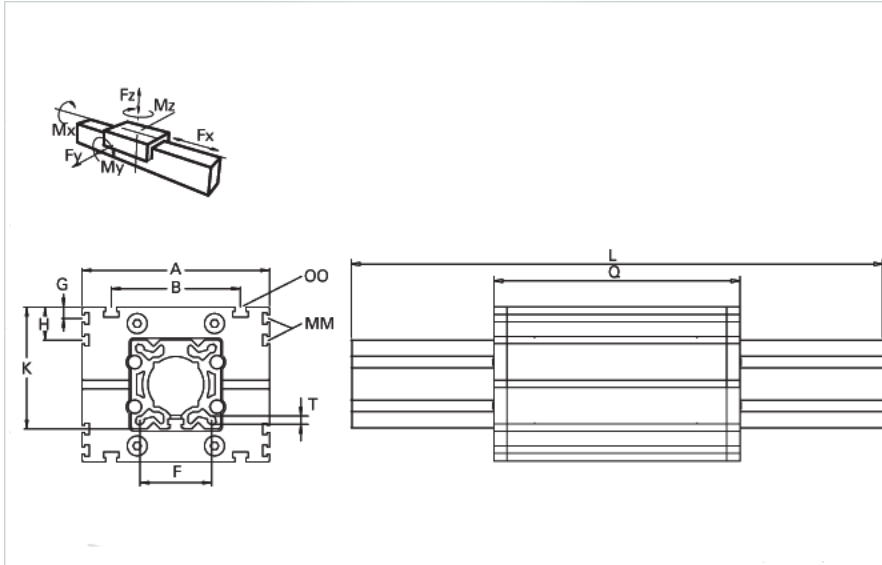
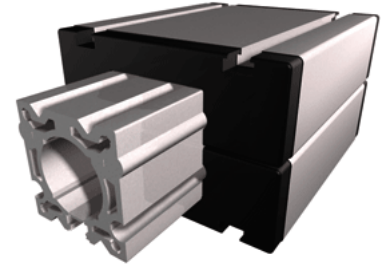


## ER 60 WAC

Call 800-321-7800 or visit us online at [www.nookindustries.com](http://www.nookindustries.com) to configure and order your ER 60 WAC today!



|   |        |
|---|--------|
| <b>Details</b>  |        |
| Size  | 60     |
| <b>Dimensions</b>   |        |
| Basic Length L [mm]                                       | 188    |
| A [mm]  | 144    |
| B [mm]  | 96     |
| F [mm]  | 48     |
| G [mm]  | -      |
| H [mm]  | -      |
| J   | M6-M10 |
| K [mm]  | 79     |
| MM  | -      |
| OO  | M8     |
| Q [mm]  | 184    |
| T-Diameter  | M6     |
| <b>Forces and Torques</b>                                 |        |
| Fx dynamic [N]  | -      |
| Fy dynamic [N]  | 2000   |
| Fz dynamic [N]  | 1100   |
| Mx dynamic [Nm]   | 43     |
| My dynamic [Nm]   | 70     |
| Mz dynamic [Nm]   | 100    |
| Fx static [N]   | -      |
| Fy static [N]   | 3000   |
| Fz static [N]   | 1700   |
| Mx static [Nm]  | 67     |
| My static [Nm]  | 90     |
| Mz static [Nm]  | 120    |
| <b>Geometrical moments of inertia of aluminum profile</b> |        |
| Elastic modulus [N/mm <sup>2</sup> ]                      | 70000  |
| Ix [mm <sup>4</sup> ]                                     | 679000 |
| Iy [mm <sup>4</sup> ]                                     | 697000 |
| <b>Weight</b>   |        |
| Additional Weight per 100 mm [kg]                         | 0.61   |
| Basic Weight [kg]   | 2.4    |