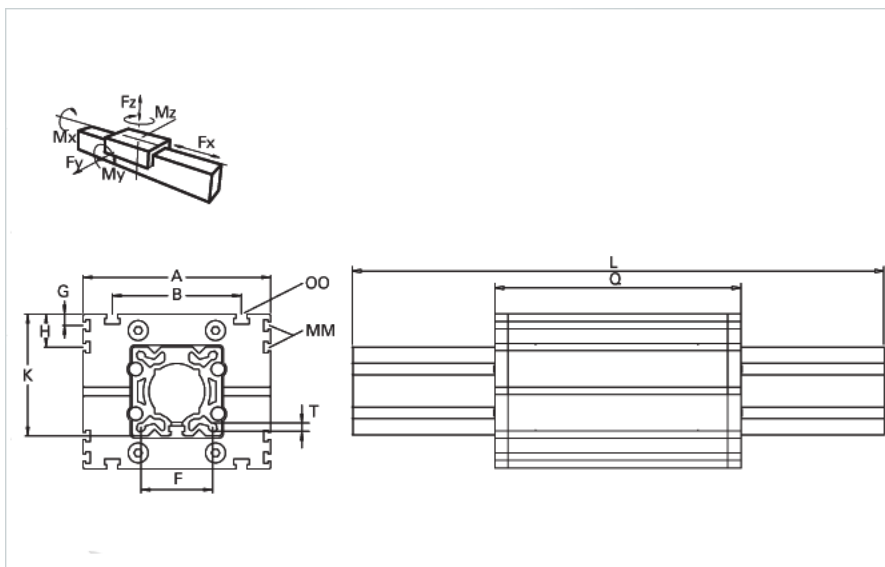
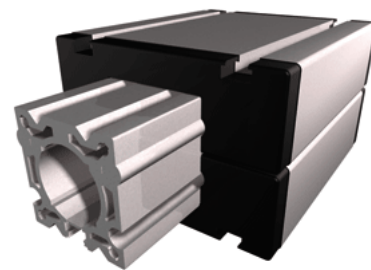


## ER 40 WAC

Call 800-321-7800 or visit us online at [www.nookindustries.com](http://www.nookindustries.com) to configure and order your ER 40 WAC today!



<b>Details</b>	
Size	40
<b>Dimensions</b>	
Basic Length L [mm]	142
A [mm]	100
B [mm]	66
F [mm]	29
G [mm]	-
H [mm]	-
J	M6-M10
K [mm]	55
MM	-
OO	M6
Q [mm]	138
T-Diameter	M5
<b>Forces and Torques</b>	
Fx dynamic [N]	-
Fy dynamic [N]	700
Fz dynamic [N]	650
Mx dynamic [Nm]	20
My dynamic [Nm]	18
Mz dynamic [Nm]	25
Fx static [N]	-
Fy static [N]	1200
Fz static [N]	900
Mx static [Nm]	25
My static [Nm]	32
Mz static [Nm]	35
<b>Geometrical moments of inertia of aluminum profile</b>	
Elastic modulus [N/mm <sup>2</sup> ]	70000
Ix [mm <sup>4</sup> ]	132000
Iy [mm <sup>4</sup> ]	134000
<b>Weight</b>	
Additional Weight per 100 mm [kg]	0.23
Basic Weight [kg]	0.7