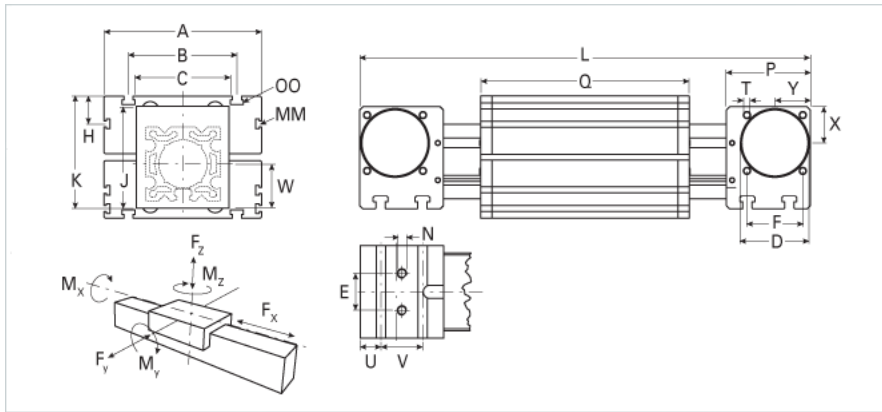
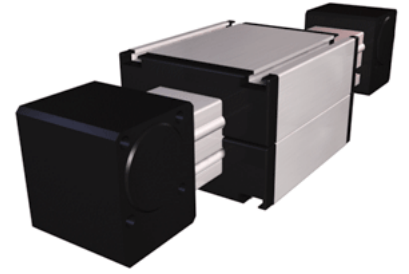


ELRZ 125 WAC

Call 800-321-7800 or visit us online at www.nookindustries.com to configure and order your ELRZ 125 WAC today!



| Details | |
|---|----------|
| Size | 125 |
| Dimensions | |
| Basic Length L [mm] | 649 |
| A [mm] | 295 |
| B [mm] | 200 |
| C [mm] | 160 |
| D [mm] | 110 |
| E [mm] | 60 |
| F [mm] | 100 |
| G [mm] | - |
| H [mm] | 30 |
| J [mm] | 167 |
| K [mm] | 191 |
| MM | M10 |
| N | M12 |
| OO | M12 |
| P [mm] | 130 |
| Q [mm] | 389 |
| T-Diameter | M12 |
| U [mm] | 38 |
| V [mm] | 50 |
| W [mm] | 82 |
| X [mm] | 60 |
| Y [mm] | 60 |
| Forces and Torques | |
| Fx dynamic [N] | - |
| Fy dynamic [N] | 9000 |
| Fz dynamic [N] | 4500 |
| Mx dynamic [Nm] | 1450 |
| My dynamic [Nm] | 600 |
| Mz dynamic [Nm] | 1150 |
| Fx static [N] | - |
| Fy static [N] | 12000 |
| Fz static [N] | 6000 |
| Mx static [Nm] | 600 |
| My static [Nm] | 750 |
| Mz static [Nm] | 1350 |
| Geometrical moments of inertia of aluminum profile | |
| Elastic modulus [N/mm ²] | 70000 |
| Ix [mm ⁴] | 10200000 |
| Iy [mm ⁴] | 10200000 |
| Weight | |
| Additional Weight per 100 mm [kg] | 2.05 |
| Basic Weight [kg] [.0] | 28.3 |