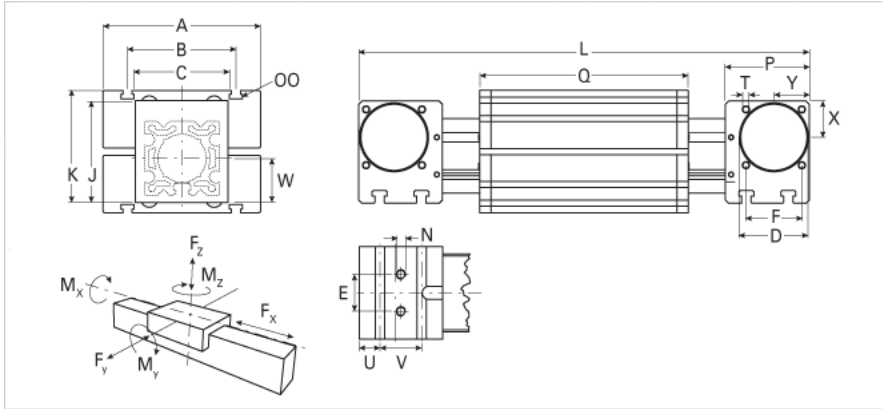
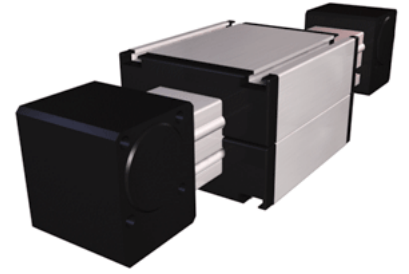


ELRZ 60S WAC

Call 800-321-7800 or visit us online at www.nookindustries.com to configure and order your ELRZ 60S WAC today!



Details	
Size	60S
Dimensions	
Basic Length L [mm]	335
A [mm]	170
B [mm]	108
C [mm]	80
D [mm]	47
E [mm]	30
F [mm]	42
G [mm]	-
H [mm]	-
J [mm]	82
K [mm]	94
MM	-
N	M8
OO	M8
P [mm]	59
Q [mm]	214
T-Diameter	M6
U [mm]	14
V [mm]	30
W [mm]	41
X [mm]	27
Y [mm]	27
Forces and Torques	
Fx dynamic [N]	-
Fy dynamic [N]	3100
Fz dynamic [N]	1600
Mx dynamic [Nm]	65
My dynamic [Nm]	140
Mz dynamic [Nm]	170
Fx static [N]	-
Fy static [N]	4100
Fz static [N]	2160
Mx static [Nm]	88
My static [Nm]	190
Mz static [Nm]	230
Geometrical moments of inertia of aluminum profile	
Elastic modulus [N/mm ²]	70000
Ix [mm ⁴]	679000
Iy [mm ⁴]	697000
Weight	
Additional Weight per 100 mm [kg]	0.61
Basic Weight [kg] [.0]	3.4