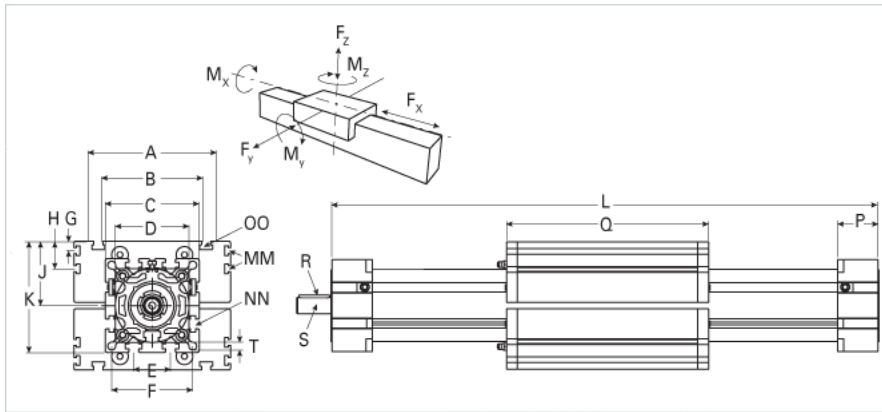
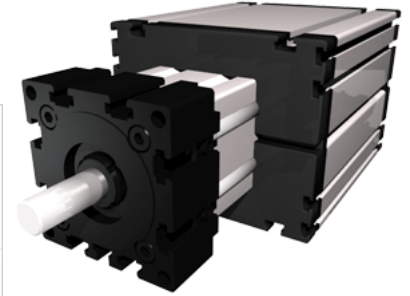


## ELT 80S WAC

Call 800-321-7800 or visit us online at [www.nookindustries.com](http://www.nookindustries.com) to configure and order your ELT 80S WAC today!



| <b>Details</b>  |             |
|---|-------------|
| Size  | 80S         |
| Screw Options   | 28x5/28x10  |
| Screw Type  | Trapezoidal |
| <b>Dimensions</b>   |             |
| Basic Length L [mm]                                       | 325         |
| A [mm]  | 190         |
| B [mm]  | 126         |
| C [mm]  | 102         |
| D [mm]  | 80x1        |
| E [mm]  | 40          |
| F [mm]  | 88          |
| G [mm]  | 12.5        |
| H [mm]  | 30          |
| J [mm]  | 71          |
| K [mm]  | 122         |
| MM  | M6          |
| NN  | M10         |
| OO  | M8          |
| P [mm]  | 45          |
| Q [mm]  | 325         |
| R [mm]  | 6x6x40      |
| S Diameter x Length [mm]                                  | 18x45       |
| T-Diameter [mm]   | 8.5         |
| <b>Forces and Torques</b>                                 |             |
| No-load torque [Nm]                                       | 1.0         |
| Fx dynamic [N]  | 4000        |
| Fy dynamic [N]  | 3600        |
| Fz dynamic [N]  | 1800        |
| Mx dynamic [Nm]   | 140         |
| My dynamic [Nm]   | 230         |
| Mz dynamic [Nm]   | 220         |
| Fx static [N]   | 5000        |
| Fy static [N]   | 4600        |
| Fz static [N]   | 3000        |
| Mx static [Nm]  | 170         |
| My static [Nm]  | 270         |
| Mz static [Nm]  | 300         |
| <b>Geometrical moments of inertia of aluminum profile</b> |             |
| Elastic modulus [N/mm <sup>2</sup> ]                      | 70000       |
| Ix [mm <sup>4</sup> ]                                     | 1899000     |
| Iy [mm <sup>4</sup> ]                                     | 1897000     |
| <b>Weight</b>   |             |
| Additional Weight per 100 mm [kg]                         | 1.48        |
| Basic Weight [kg]   | 11.0        |