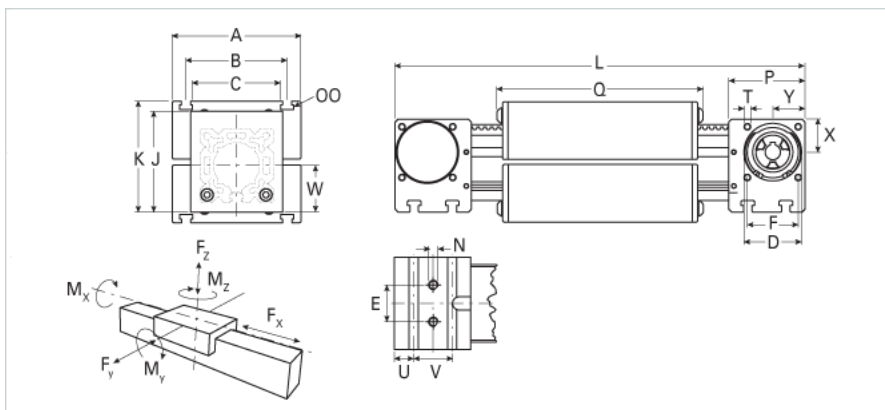
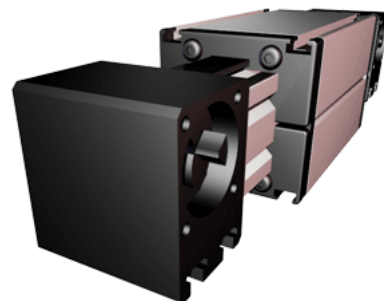


EGZ 60 WAC

Call 800-321-7800 or visit us online at www.nookindustries.com to configure and order your EGZ 60 WAC today!



Details	
Size	60
Belt	5M25
MM/REV	130
Number of Teeth	26
Pully Diameter [mm]	41.4
Dimensions	
A [mm]	100
B [mm]	80
Basic Length L [mm]	306
C [mm]	80
D [mm]	47
E [mm]	30
F [mm]	42
H [mm]	-
J [mm]	82
K [mm]	90
MM	-
N	M8
OO	M8
P [mm]	59
Q [mm]	180
T	M6
U [mm]	15
V [mm]	30
W [mm]	41
X [mm]	27
Y [mm]	26
Shaft Key [mm]	5x5x28
Shaft Diameter h6 x Length [mm]	14 x 35
Shaft Diameter and Length [mm]	14 x 35
Key	5x5x28
Speed	
Speed Maximum [m/s]	2
Forces and Torques	
No Load Torque [Nm]	0.6
Tensile force 0.2 sec [N]	1000
Tensile force permanent [N]	900
Fx dynamic [N]	800
Fy dynamic [N]	450
Fz dynamic [N]	675
Mx dynamic [Nm]	30
My dynamic [Nm]	70
Mz dynamic [Nm]	50
Fx static [N]	894
Fy static [N]	500
Fz static [N]	750
Mx static [Nm]	33
My static [Nm]	77
Mz static [Nm]	55
Geometrical moments of inertia of aluminum profile	
Elastic modulus [N/mm ²]	70000
Ix [mm ⁴]	562000

ly [mm ⁴]	605000
Weight	
Additional Weight per 100 mm [kg]	0.41
Basic Weight [kg]	4.32