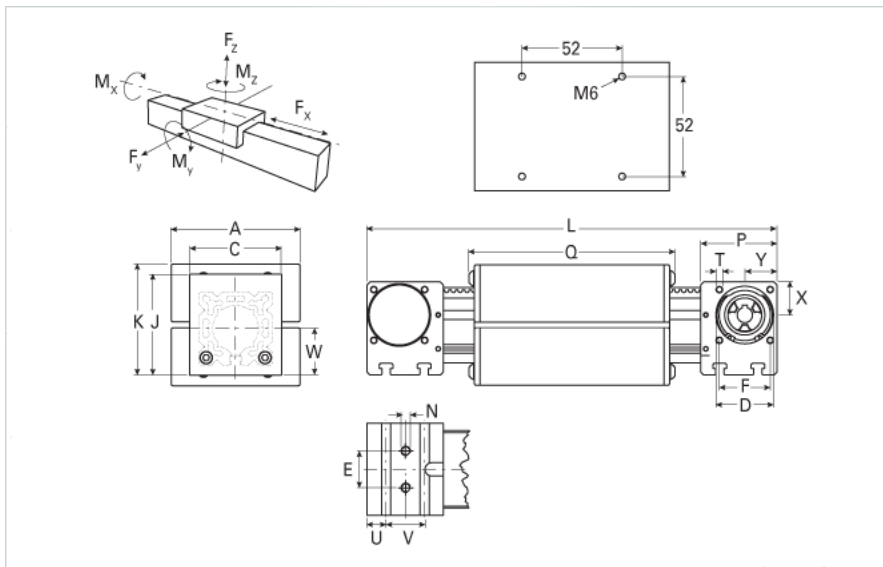
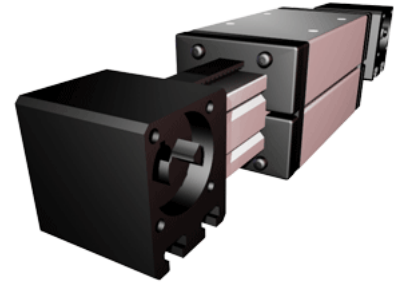


## EGZ 40 WAC

Call 800-321-7800 or visit us online at [www.nookindustries.com](http://www.nookindustries.com) to configure and order your EGZ 40 WAC today!



### Details

Size	40
Belt	5M12
MM/REV	100
Number of Teeth	20
Pully Diameter [mm]	31.8

### Dimensions

A [mm]	70
B [mm]	-
Basic Length L [mm]	243
C [mm]	58
D [mm]	37
E [mm]	18
F [mm]	32
H [mm]	-
J [mm]	58
K [mm]	64
MM	-
N	M6
OO	M6
P [mm]	49
Q [mm]	134
T	M5
U [mm]	12.5
V [mm]	24
W [mm]	29
X [mm]	20.5
Y [mm]	20.5
Shaft Key [mm]	3x3x25
Shaft Diameter h6 x Length [mm]	10 x 27
Shaft Diameter and Length [mm]	10X 27
Key	3x3x25

### Speed

Speed Maximum [m/s]	2
---------------------	---

### Forces and Torques

No Load Torque [Nm]	0.3
Tensile force 0.2 sec [N]	480
Tensile force permanent [N]	390
Fx dynamic [N]	350
Fy dynamic [N]	315
Fz dynamic [N]	450
Mx dynamic [Nm]	18
My dynamic [Nm]	40
Mz dynamic [Nm]	30
Fx static [N]	390
Fy static [N]	350
Fz static [N]	500

Mx static [Nm]	20
My static [Nm]	44
Mz static [Nm]	33
<b>Geometrical moments of inertia of aluminum profile</b>	
Elastic modulus [N/mm <sup>2</sup> ]	70000
Ix [mm <sup>4</sup> ]	140000
Iy [mm <sup>4</sup> ]	147000
<b>Weight</b>	
Additional Weight per 100 mm [kg]	0.22
Basic Weight [kg]	1.74