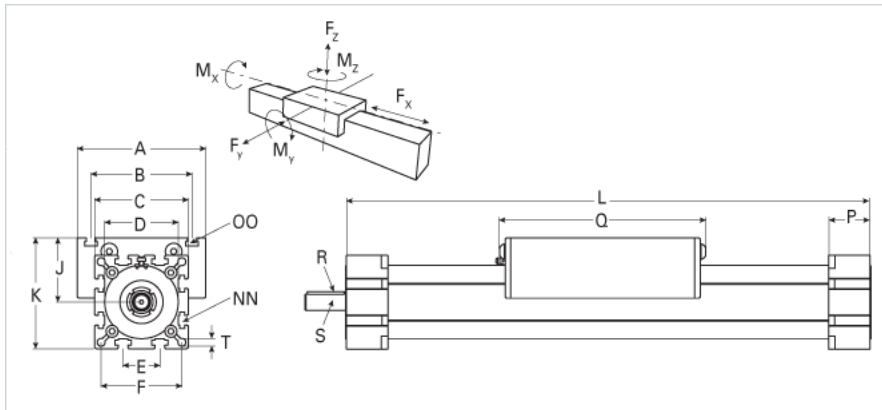
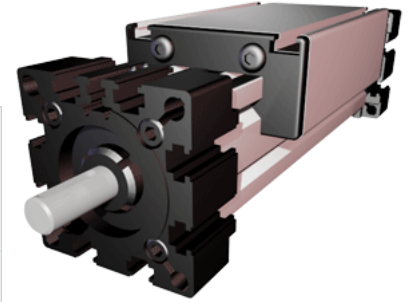


EGT 60

Call 800-321-7800 or visit us online at www.nookindustries.com to configure and order your EGT 60 today!



| Details | |
|--|-------------|
| Size | 60 |
| Screw Options | 24x5/24x10 |
| Screw Type | Trapezoidal |
| Dimensions | |
| Basic Length L [mm] | 235 |
| A [mm] | 100 |
| B [mm] | 80 |
| C [mm] | 82 |
| D [mm] | 62x1 |
| E [mm] | 30 |
| F [mm] | 69 |
| H [mm] | - |
| J [mm] | 49 |
| K [mm] | 90 |
| MM [mm] | - |
| NN [mm] | M8 |
| OO [mm] | M8 |
| P [mm] | 35 |
| Q [mm] | 165 |
| R [mm] | 5x5x28 |
| S Diameter x Length [mm] | 14x35 |
| T-Diameter [mm] | 8.5 |
| Forces and Torques | |
| No Load Torque [Nm] | 0.5 |
| Fx dynamic [N] | 2000 |
| Fy dynamic [N] | 450 |
| Fz dynamic [N] | 675 |
| Mx dynamic [Nm] | 30 |
| My dynamic [Nm] | 70 |
| Mz dynamic [Nm] | 50 |
| Fx static [N] | 2500 |
| Fy static [N] | 500 |
| Fz static [N] | 750 |
| Mx static [Nm] | 33 |
| My static [Nm] | 77 |
| Mz static [Nm] | 55 |
| Geometrical moments of inertia of aluminum profile | |
| Elastic modulus [N/mm ²] | 70000 |
| Ix [mm ⁴] | 565000 |
| Iy [mm ⁴] | 612000 |
| Weight | |
| Additional Weight per 100 mm [kg] | 0.67 |
| Basic Weight [kg] | 4.0 |