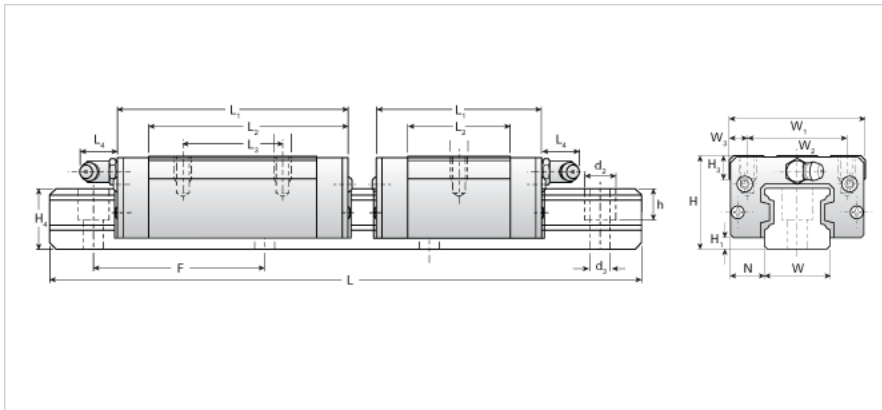


NU55ER Assembly

Call 800-321-7800 or visit us online at www.nookindustries.com to configure and order your NU55ER Assembly today!



Dimensions	
H [mm]	68
H1 [mm]	12
N [mm]	26.0
Metric Profile Rail	
Details	
Size [mm]	55
Type	Compact
Dimensions	
d2 [mm]	20
d3 [mm]	14
h [mm]	25
H4 [mm]	46
F [mm]	120
W [mm]	53
Maximum Length [mm]	3000
Weight	
Weights-Rail [kg/m]	16.5
Metric Runner Block, Heavy Load, Compact Type, 4 Tapped Holes	
Details	
Size [mm]	55
Dimensions	
L1 [mm]	168
L2 [mm]	124
L3 [mm]	75
L4 [mm]	14
H3 [mm]	18
M1 x l	M12X18
W1 [mm]	100
W2 [mm]	75
W3 [mm]	12.5
Forces and Torques	
Basic Load Ratings C [kN]	89.53
Basic Load Ratings C [lbf]	20132
Basic Load Ratings C0 [kN]	137.09
Basic Load Ratings C0 [lbf]	30811
Static Moment Ratings-Ma [kN-m]	2.22
Static Moment Ratings-Ma [lb-in]	19617
Static Moment Ratings-Mb [kN-m]	2.22
Static Moment Ratings-Mb [lb-in]	19617
Static Moment Ratings-Mc [kN-m]	3.95
Static Moment Ratings-Mc [lb-in]	34980
Weight	
Weight-Block [kg]	3.30
Grease Fitting	
Grease Fitting Part Number	B-PT 1/8