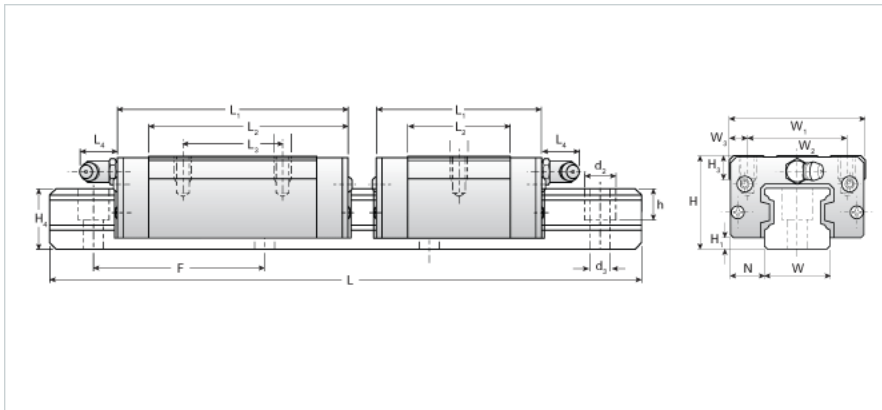


NU25ER Assembly

Call 800-321-7800 or visit us online at www.nookindustries.com to configure and order your NU25ER Assembly today!



Dimensions	
H [mm]	33
H1 [mm]	4
N [mm]	12.5
Metric Profile Rail	
Details	
Size [mm]	25
Type	Compact
Dimensions	
d2 [mm]	11
d3 [mm]	7
h [mm]	12.5
H4 [mm]	21.5
F [mm]	60
W [mm]	23
Maximum Length [mm]	3000
Weight	
Weights-Rail [kg/m]	3.2
Metric Runner Block, Heavy Load, Compact Type, 4 Tapped Holes	
Details	
Size [mm]	25
Dimensions	
L1 [mm]	83
L2 [mm]	59
L3 [mm]	35
L4 [mm]	12
H3 [mm]	8
M1 x l	M6X8
W1 [mm]	48
W2 [mm]	35
W3 [mm]	6.5
Forces and Torques	
Basic Load Ratings C [kN]	20.00
Basic Load Ratings C [lbf]	4498
Basic Load Ratings C0 [kN]	34.41
Basic Load Ratings C0 [lbf]	7736
Static Moment Ratings-Ma [kN-m]	0.27
Static Moment Ratings-Ma [lb-in]	2430
Static Moment Ratings-Mb [kN-m]	0.27
Static Moment Ratings-Mb [lb-in]	2430
Static Moment Ratings-Mc [kN-m]	0.44
Static Moment Ratings-Mc [lb-in]	3906
Weight	
Weight-Block [kg]	0.41
Grease Fitting	
Grease Fitting Part Number	B-M6F