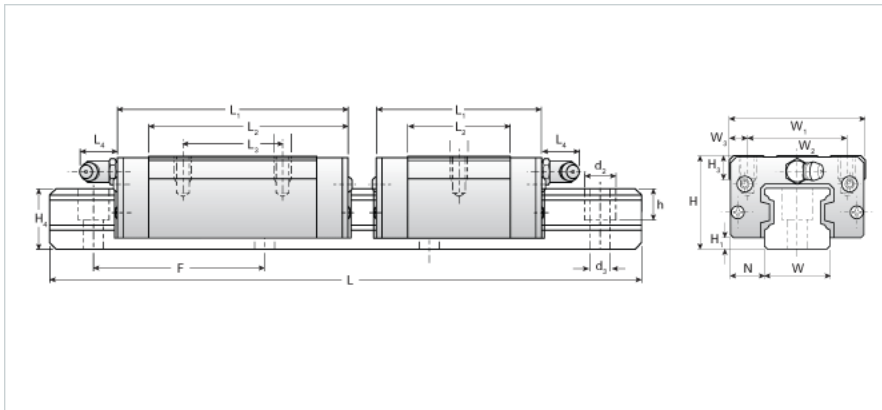


NU15SER Assembly

Call 800-321-7800 or visit us online at www.nookindustries.com to configure and order your NU15SER Assembly today!



Dimensions	
H [mm]	24
H1 [mm]	4.6
N [mm]	9.5
Metric Profile Rail	
Details	
Size [mm]	15
Type	Compact
Dimensions	
d2 [mm]	6
d3 [mm]	3.5
h [mm]	9
H4 [mm]	17
F [mm]	60
W [mm]	15
Maximum Length [mm]	1500
Weight	
Weights-Rail [kg/m]	1.7
Metric Runner Block, Medium Load, Compact Type, 2 Tapped Holes	
Details	
Size [mm]	15
Dimensions	
L1 [mm]	45
L2 [mm]	25
L4 [mm]	0
M1 x l	M4X5
H3 [mm]	6
W1 [mm]	34
W2 [mm]	26
W3 [mm]	4
Forces and Torques	
Basic Load Ratings C [kN]	5.49
Basic Load Ratings C [lbf]	1234
Basic Load Ratings C0 [kN]	7.35
Basic Load Ratings C0 [lbf]	1653
Static Moment Ratings-Ma [kN-m]	0.03
Static Moment Ratings-Ma [lb-in]	260
Static Moment Ratings-Mb [kN-m]	0.03
Static Moment Ratings-Mb [lb-in]	260
Static Moment Ratings-Mc [kN-m]	0.07
Static Moment Ratings-Mc [lb-in]	608
Weight	
Weight-Block [kg]	0.08
Grease Fitting	
Grease Fitting Part Number	NAS516-1A