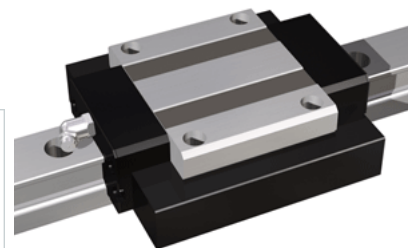
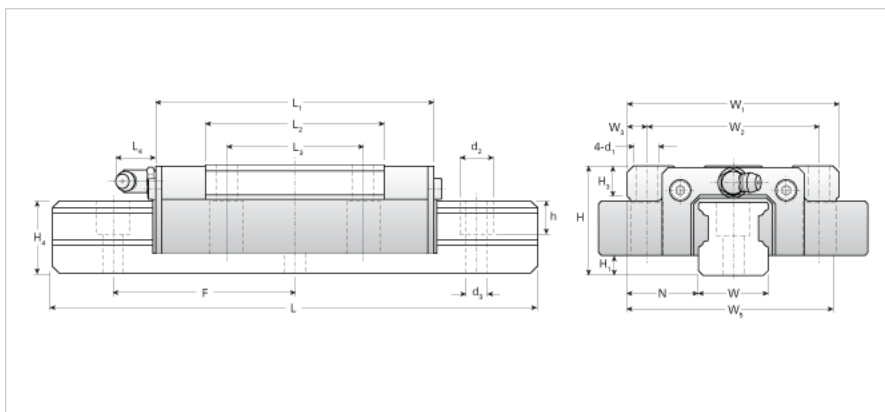


## NH65TB Assembly

Call 800-321-7800 or visit us online at [www.nookindustries.com](http://www.nookindustries.com) to configure and order your NH65TB Assembly today!



|   |          |
|---|----------|
| <b>Dimensions</b>   |          |
| H [mm]  | 85       |
| H1 [mm]   | 14       |
| N [mm]  | 53.5     |
| <b>Metric Profile Rail</b>  |          |
| <b>Details</b>  |          |
| Size [mm]   | 65       |
| Type  | Standard |
| <b>Dimensions</b>   |          |
| d2 [mm]   | 26       |
| d3 [mm]   | 18       |
| h [mm]  | 25       |
| H4 [mm]   | 58       |
| F [mm]  | 150      |
| W [mm]  | 63       |
| Maximum Length [mm]   | 3000     |
| <b>Weight</b>   |          |
| Weights-Rail [kg/m]   | 24.9     |
| <b>Metric Runner Block, Heavy Load, High Speed, 4 Through Holes On Flange</b> |          |
| <b>Details</b>  |          |
| Size [mm]   | 65       |
| <b>Dimensions</b>   |          |
| L1 [mm]   | 225      |
| L2 [mm]   | 148      |
| L3 [mm]   | 110      |
| L4 [mm]   | 12       |
| d1 x l  | M16x29   |
| H3 [mm]   | 20       |
| W1 [mm]   | 170      |
| W2 [mm]   | 142      |
| W3 [mm]   | 14       |
| W5 [mm]   | 207      |
| <b>Forces and Torques</b>   |          |
| Basic Load Ratings C [kN]   | 141.11   |
| Basic Load Ratings C [lbf]  | 31714    |
| Basic Load Ratings C0 [kN]  | 215.15   |
| Basic Load Ratings C0 [lbf]   | 48354    |
| Static Moment Ratings-Ma [kN-m]   | 4.21     |
| Static Moment Ratings-Ma [lb-in]  | 37237    |
| Static Moment Ratings-Mb [kN-m]   | 4.21     |
| Static Moment Ratings-Mb [lb-in]  | 37237    |
| Static Moment Ratings-Mc [kN-m]   | 7.38     |
| Static Moment Ratings-Mc [lb-in]  | 65360    |
| <b>Weight</b>   |          |
| Weight-Block [kg]   | 8.40     |
| <b>Grease Fitting</b>   |          |
| Grease Fitting Part Number  | B-PT-1/8 |