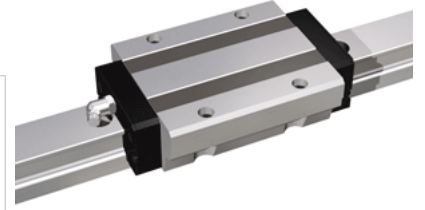
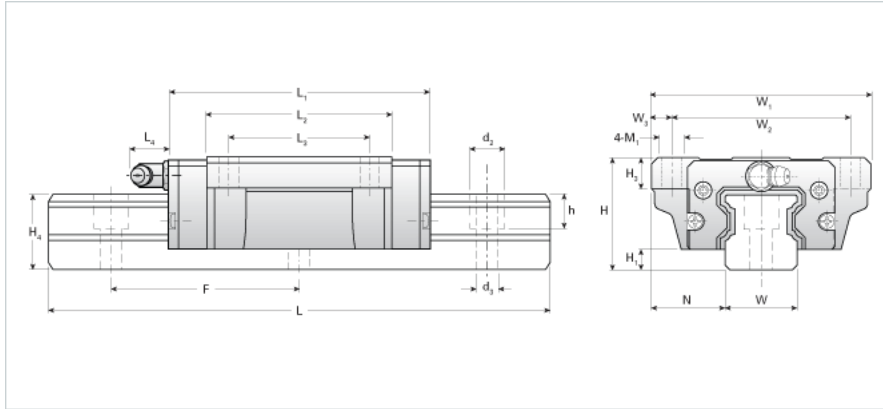


## NH65LEB Assembly

Call 800-321-7800 or visit us online at [www.nookindustries.com](http://www.nookindustries.com) to configure and order your NH65LEB Assembly today!



|   |          |
|---|----------|
| <b>Dimensions</b>   |          |
| H [mm]  | 85       |
| H1 [mm]   | 14       |
| N [mm]  | 53.5     |
| <b>Metric Profile Rail</b>                                    |          |
| <b>Details</b>  |          |
| Size [mm]   | 65       |
| Type  | Standard |
| <b>Dimensions</b>   |          |
| d2 [mm]   | 26       |
| d3 [mm]   | 18       |
| h [mm]  | 25       |
| H4 [mm]   | 58       |
| F [mm]  | 150      |
| W [mm]  | 63       |
| Maximum Length [mm]   | 3000     |
| <b>Weight</b>   |          |
| Weights-Rail [kg/m]   | 24.9     |
| <b>Metric Runner Block, Ultra Heavy Load, 4 Through Holes</b> |          |
| <b>Details</b>  |          |
| Size [mm]   | 65       |
| <b>Dimensions</b>   |          |
| L1 [mm]   | 247      |
| L2 [mm]   | 207      |
| L3 [mm]   | 110      |
| L4 [mm]   | 16       |
| H3 [mm]   | 20       |
| W1 [mm]   | 170      |
| W2 [mm]   | 142      |
| W3 [mm]   | 14       |
| M1 [mm]   | 16       |
| <b>Forces and Torques</b>                                     |          |
| Basic Load Ratings C [kN]                                     | 192.11   |
| Basic Load Ratings C [lbf]                                    | 43175    |
| Basic Load Ratings C0 [kN]                                    | 286.15   |
| Basic Load Ratings C0 [lbf]                                   | 64310    |
| Static Moment Ratings-Ma [kN-m]                               | 7.21     |
| Static Moment Ratings-Ma [lb-in]                              | 63798    |
| Static Moment Ratings-Mb [kN-m]                               | 7.21     |
| Static Moment Ratings-Mb [lb-in]                              | 63798    |
| Static Moment Ratings-Mc [kN-m]                               | 10.75    |
| Static Moment Ratings-Mc [lb-in]                              | 95133    |
| <b>Weight</b>   |          |
| Weight-Block [kg]   | 13.10    |
| <b>Grease Fitting</b>   |          |
| Grease Fitting Part Number                                    | B-PT 1/8 |