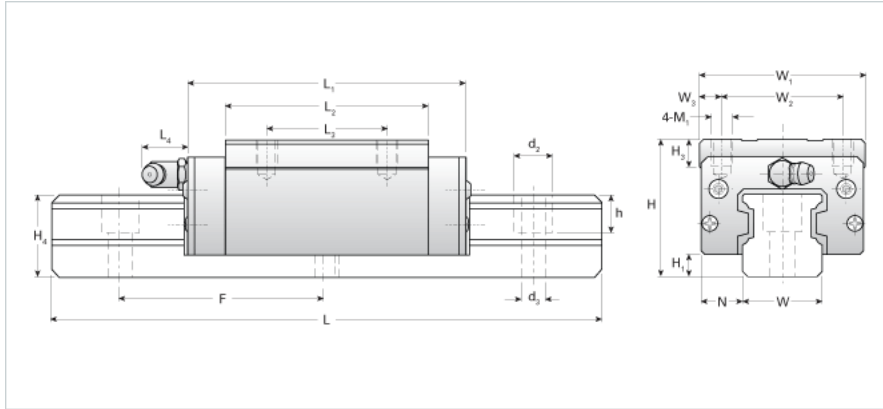


NH55LER Assembly

Call 800-321-7800 or visit us online at www.nookindustries.com to configure and order your NH55LER Assembly today!



Dimensions	
H [mm]	80
H1 [mm]	14
N [mm]	23.5
Metric Profile Rail	
Details	
Size [mm]	55
Type	Standard
Dimensions	
d2 [mm]	23
d3 [mm]	16
h [mm]	24
H4 [mm]	48
F [mm]	120
W [mm]	53
Maximum Length [mm]	3000
Weight	
Weights-Rail [kg/m]	16.5
Metric Runner Block, Ultra Heavy Load, Narrow Width, 4 Tapped Holes	
Details	
Size [mm]	55
Dimensions	
L1 [mm]	200
L2 [mm]	156
L3 [mm]	95
L4 [mm]	16
M1 x l	M12x18
H3 [mm]	18
W1 [mm]	100
W2 [mm]	75
W3 [mm]	12.5
Forces and Torques	
Basic Load Ratings C [kN]	119.05
Basic Load Ratings C [lbf]	26756
Basic Load Ratings C0 [kN]	183.09
Basic Load Ratings C0 [lbf]	41147
Static Moment Ratings-Ma [kN-m]	3.71
Static Moment Ratings-Ma [lb-in]	32810
Static Moment Ratings-Mb [kN-m]	3.71
Static Moment Ratings-Mb [lb-in]	32810
Static Moment Ratings-Mc [kN-m]	5.31
Static Moment Ratings-Mc [lb-in]	47046
Weight	
Weight-Block [kg]	5.80
Grease Fitting	
Grease Fitting Part Number	B-PT 1/8