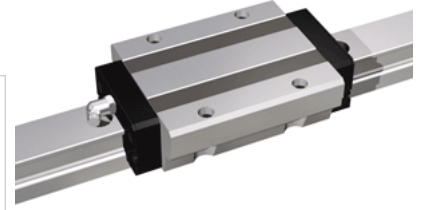
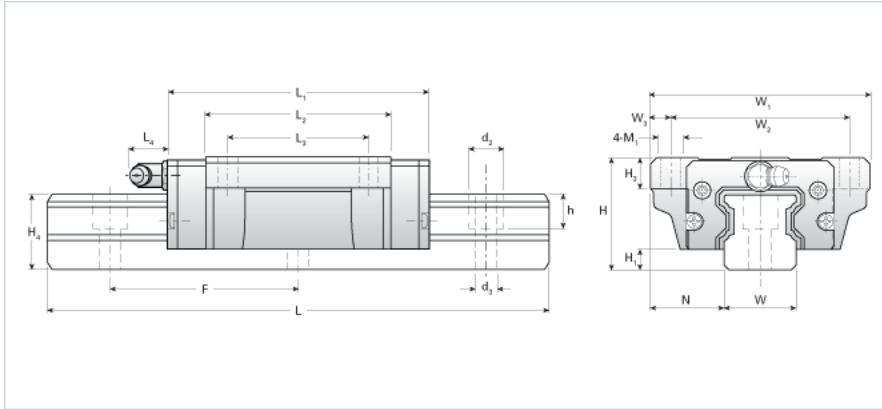


NH45LEB Assembly

Call 800-321-7800 or visit us online at www.nookindustries.com to configure and order your NH45LEB Assembly today!



Dimensions	
H [mm]	60
H1 [mm]	11
N [mm]	37.5
Metric Profile Rail	
Details	
Size [mm]	45
Type	Standard
Dimensions	
d2 [mm]	20
d3 [mm]	14
h [mm]	21
H4 [mm]	42
F [mm]	105
W [mm]	45
Maximum Length [mm]	3000
Weight	
Weights-Rail [kg/m]	12.9
Metric Runner Block, Ultra Heavy Load, 4 Through Holes	
Details	
Size [mm]	45
Dimensions	
L1 [mm]	167
L2 [mm]	130
L3 [mm]	80
L4 [mm]	14
H3 [mm]	15
W1 [mm]	120
W2 [mm]	100
W3 [mm]	10
M1 [mm]	11
Forces and Torques	
Basic Load Ratings C [kN]	80.61
Basic Load Ratings C [lbf]	18116
Basic Load Ratings C0 [kN]	127.48
Basic Load Ratings C0 [lbf]	28651
Static Moment Ratings-Ma [kN-m]	2.11
Static Moment Ratings-Ma [lb-in]	18662
Static Moment Ratings-Mb [kN-m]	2.11
Static Moment Ratings-Mb [lb-in]	18662
Static Moment Ratings-Mc [kN-m]	3.13
Static Moment Ratings-Mc [lb-in]	27689
Weight	
Weight-Block [kg]	4.00
Grease Fitting	
Grease Fitting Part Number	B-PT 1/8