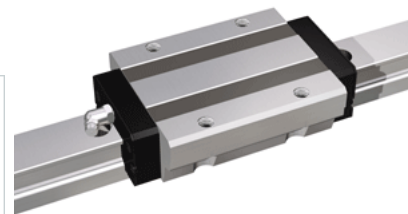
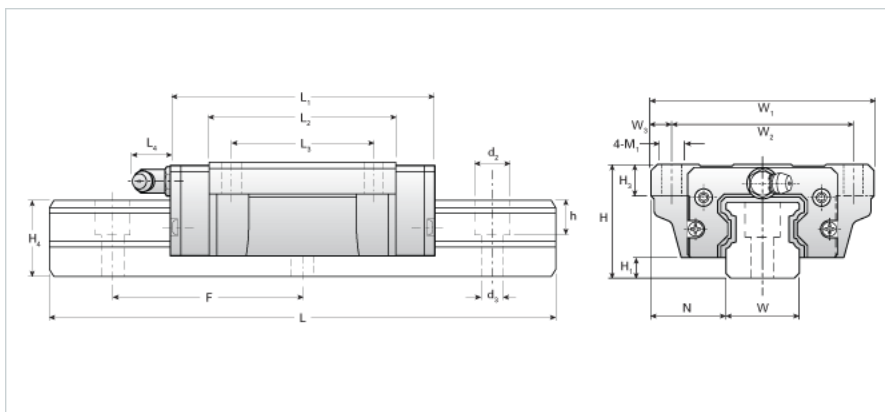


## NH35LEA Assembly

Call 800-321-7800 or visit us online at [www.nookindustries.com](http://www.nookindustries.com) to configure and order your NH35LEA Assembly today!



|   |          |
|---|----------|
| <b>Dimensions</b>   |          |
| H [mm]  | 48       |
| H1 [mm]   | 8        |
| N [mm]  | 33.0     |
| <b>Metric Profile Rail</b>  |          |
| <b>Details</b>  |          |
| Size [mm]   | 35       |
| Type  | Standard |
| <b>Dimensions</b>   |          |
| d2 [mm]   | 14       |
| d3 [mm]   | 9        |
| h [mm]  | 15       |
| H4 [mm]   | 32       |
| F [mm]  | 80       |
| W [mm]  | 34       |
| Maximum Length [mm]   | 4000     |
| <b>Weight</b>   |          |
| Weights-Rail [kg/m]   | 7.5      |
| <b>Metric Runner Block, Ultra Heavy Load, Flange Type, 4 Tapped Holes</b> |          |
| <b>Details</b>  |          |
| Size [mm]   | 35       |
| <b>Dimensions</b>   |          |
| L1 [mm]   | 141      |
| L2 [mm]   | 109      |
| L3 [mm]   | 62       |
| L4 [mm]   | 12       |
| M1  | M10      |
| H3 [mm]   | 13       |
| W1 [mm]   | 100      |
| W2 [mm]   | 82       |
| W3 [mm]   | 9        |
| <b>Forces and Torques</b>   |          |
| Basic Load Ratings C [kN]   | 50.30    |
| Basic Load Ratings C [lbf]  | 11306    |
| Basic Load Ratings C0 [kN]  | 81.59    |
| Basic Load Ratings C0 [lbf]   | 18337    |
| Static Moment Ratings-Ma [kN-m]   | 1.13     |
| Static Moment Ratings-Ma [lb-in]  | 9982     |
| Static Moment Ratings-Mb [kN-m]   | 1.13     |
| Static Moment Ratings-Mb [lb-in]  | 9982     |
| Static Moment Ratings-Mc [kN-m]   | 1.64     |
| Static Moment Ratings-Mc [lb-in]  | 14496    |
| <b>Weight</b>   |          |
| Weight-Block [kg]   | 2.50     |
| <b>Grease Fitting</b>   |          |
| Grease Fitting Part Number  | B-M6F    |