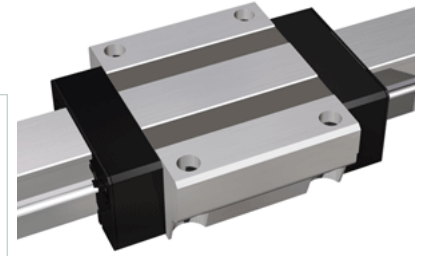
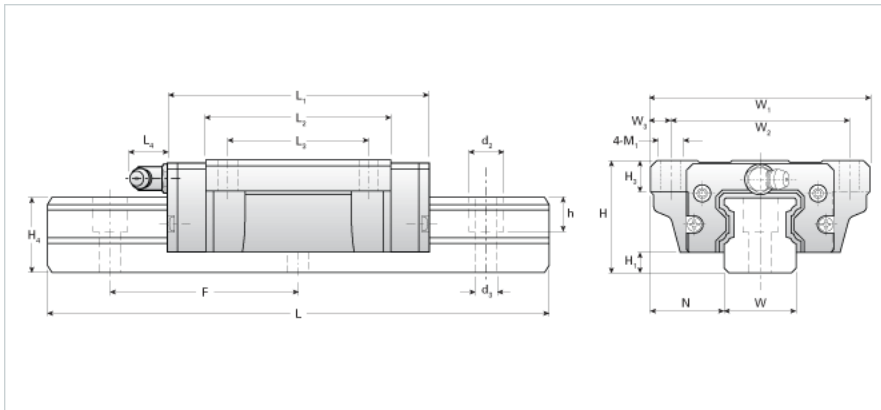


## NH30EB Assembly

Call 800-321-7800 or visit us online at [www.nookindustries.com](http://www.nookindustries.com) to configure and order your NH30EB Assembly today!



|  |          |
|--|----------|
| <b>Dimensions</b>  |          |
| H [mm]   | 42       |
| H1 [mm]  | 7        |
| N [mm]   | 31.0     |
| <b>Metric Profile Rail</b>   |          |
| <b>Details</b>   |          |
| Size [mm]  | 30       |
| Type   | Standard |
| <b>Dimensions</b>  |          |
| d2 [mm]  | 14       |
| d3 [mm]  | 9        |
| h [mm]   | 14       |
| H4 [mm]  | 28       |
| F [mm]   | 80       |
| W [mm]   | 28       |
| Maximum Length [mm]  | 4000     |
| <b>Weight</b>  |          |
| Weights-Rail [kg/m]  | 5.3      |
| <b>Metric Runner Block, Heavy Load, Flange Type, 4 Through Holes</b> |          |
| <b>Details</b>   |          |
| Size [mm]  | 30       |
| <b>Dimensions</b>  |          |
| L1 [mm]  | 97       |
| L2 [mm]  | 68       |
| L3 [mm]  | 52       |
| L4 [mm]  | 12       |
| H3 [mm]  | 13       |
| M1 [mm]  | 9        |
| W1 [mm]  | 90       |
| W2 [mm]  | 72       |
| W3 [mm]  | 9        |
| D1 [mm]  | 9        |
| <b>Forces and Torques</b>  |          |
| Basic Load Ratings C [kN]  | 28.24    |
| Basic Load Ratings C [lbf]   | 6347     |
| Basic Load Ratings C0 [kN]   | 46.87    |
| Basic Load Ratings C0 [lbf]  | 10535    |
| Static Moment Ratings-Ma [kN-m]                                      | 0.43     |
| Static Moment Ratings-Ma [lb-in]                                     | 3819     |
| Static Moment Ratings-Mb [kN-m]                                      | 0.43     |
| Static Moment Ratings-Mb [lb-in]                                     | 3819     |
| Static Moment Ratings-Mc [kN-m]                                      | 0.72     |
| Static Moment Ratings-Mc [lb-in]                                     | 6336     |
| <b>Weight</b>  |          |
| Weight-Block [kg]  | 1.80     |
| <b>Grease Fitting</b>  |          |
| Grease Fitting Part Number   | B-M6F    |