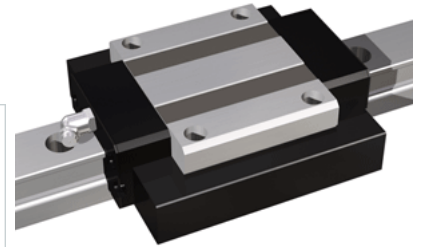
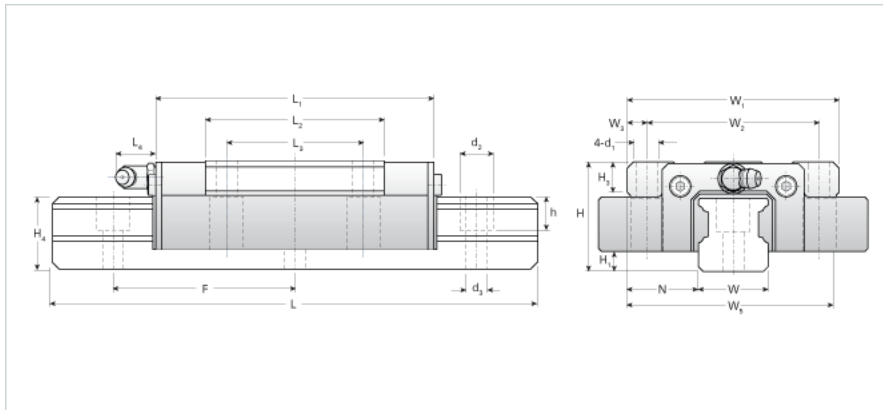


NH30TB Assembly

Call 800-321-7800 or visit us online at www.nookindustries.com to configure and order your NH30TB Assembly today!



| | |
|---|----------|
| Dimensions | |
| H [mm] | 42 |
| H1 [mm] | 7 |
| N [mm] | 31.0 |
| Metric Profile Rail | |
| Details | |
| Size [mm] | 30 |
| Type | Standard |
| Dimensions | |
| d2 [mm] | 14 |
| d3 [mm] | 9 |
| h [mm] | 14 |
| H4 [mm] | 28 |
| F [mm] | 80 |
| W [mm] | 28 |
| Maximum Length [mm] | 4000 |
| Weight | |
| Weights-Rail [kg/m] | 5.3 |
| Metric Runner Block, Heavy Load, High Speed, 4 Through Holes On Flange | |
| Details | |
| Size [mm] | 30 |
| Dimensions | |
| L1 [mm] | 111 |
| L2 [mm] | 68 |
| L3 [mm] | 52 |
| L4 [mm] | 10 |
| d1 x l | M9x14 |
| H3 [mm] | 11 |
| W1 [mm] | 90 |
| W2 [mm] | 72 |
| W3 [mm] | 9 |
| W5 [mm] | 112 |
| Forces and Torques | |
| Basic Load Ratings C [kN] | 28.24 |
| Basic Load Ratings C [lbf] | 6347 |
| Basic Load Ratings C0 [kN] | 46.86 |
| Basic Load Ratings C0 [lbf] | 10535 |
| Static Moment Ratings-Ma [kN-m] | 0.43 |
| Static Moment Ratings-Ma [lb-in] | 3819 |
| Static Moment Ratings-Mb [kN-m] | 0.43 |
| Static Moment Ratings-Mb [lb-in] | 3819 |
| Static Moment Ratings-Mc [kN-m] | 0.72 |
| Static Moment Ratings-Mc [lb-in] | 6336 |
| Weight | |
| Weight-Block [kg] | 1.00 |
| Grease Fitting | |
| Grease Fitting Part Number | B-M6F |