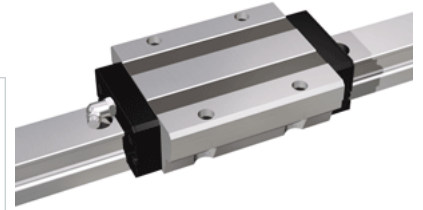
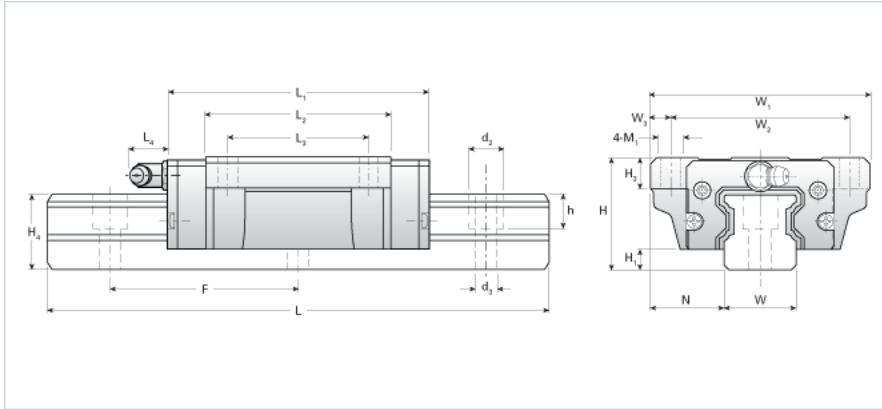


NH25LEB Assembly

Call 800-321-7800 or visit us online at www.nookindustries.com to configure and order your NH25LEB Assembly today!



Dimensions	
H [mm]	36
H1 [mm]	6.5
N [mm]	23.5
Metric Profile Rail	
Details	
Size [mm]	25
Type	Standard
Dimensions	
d2 [mm]	11
d3 [mm]	7
h [mm]	11
H4 [mm]	24
F [mm]	60
W [mm]	23
Maximum Length [mm]	4000
Weight	
Weights-Rail [kg/m]	3.2
Metric Runner Block, Ultra Heavy Load, 4 Through Holes	
Details	
Size [mm]	25
Dimensions	
L1 [mm]	107
L2 [mm]	83
L3 [mm]	45
L4 [mm]	12
H3 [mm]	10
W1 [mm]	70
W2 [mm]	57
W3 [mm]	6.5
M1 [mm]	7
Forces and Torques	
Basic Load Ratings C [kN]	27.36
Basic Load Ratings C [lbf]	6149
Basic Load Ratings C0 [kN]	45.89
Basic Load Ratings C0 [lbf]	10314
Static Moment Ratings-Ma [kN-m]	0.47
Static Moment Ratings-Ma [lb-in]	4166
Static Moment Ratings-Mb [kN-m]	0.47
Static Moment Ratings-Mb [lb-in]	4166
Static Moment Ratings-Mc [kN-m]	0.64
Static Moment Ratings-Mc [lb-in]	5642
Weight	
Weight-Block [kg]	0.97
Grease Fitting	
Grease Fitting Part Number	B-M6F