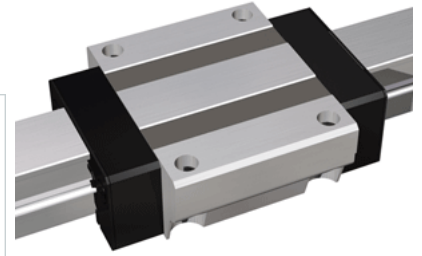
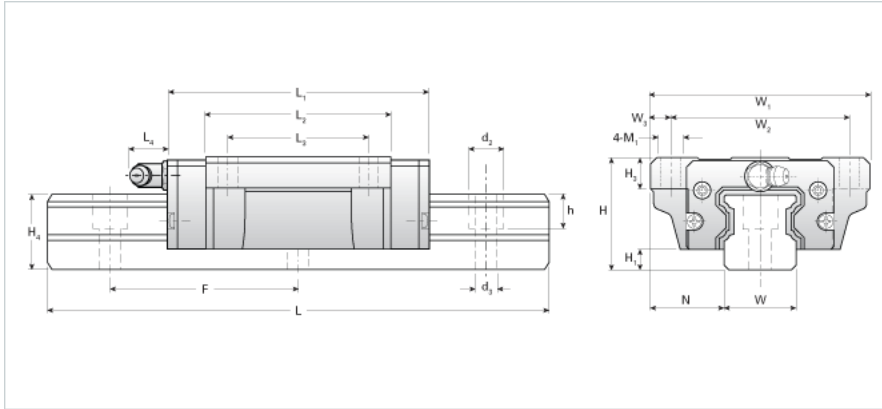


NH25EB Assembly

Call 800-321-7800 or visit us online at www.nookindustries.com to configure and order your NH25EB Assembly today!



| | |
|--|----------|
| Dimensions | |
| H [mm] | 36 |
| H1 [mm] | 6.5 |
| N [mm] | 23.5 |
| Metric Profile Rail | |
| Details | |
| Size [mm] | 25 |
| Type | Standard |
| Dimensions | |
| d2 [mm] | 11 |
| d3 [mm] | 7 |
| h [mm] | 11 |
| H4 [mm] | 24 |
| F [mm] | 60 |
| W [mm] | 23 |
| Maximum Length [mm] | 4000 |
| Weight | |
| Weights-Rail [kg/m] | 3.2 |
| Metric Runner Block, Heavy Load, Flange Type, 4 Through Holes | |
| Details | |
| Size [mm] | 25 |
| Dimensions | |
| L1 [mm] | 83 |
| L2 [mm] | 59 |
| L3 [mm] | 45 |
| L4 [mm] | 12 |
| H3 [mm] | 10 |
| M1 [mm] | 7 |
| W1 [mm] | 70 |
| W2 [mm] | 57 |
| W3 [mm] | 6.5 |
| D1 [mm] | 7 |
| Forces and Torques | |
| Basic Load Ratings C [kN] | 20.00 |
| Basic Load Ratings C [lbf] | 4496 |
| Basic Load Ratings C0 [kN] | 34.42 |
| Basic Load Ratings C0 [lbf] | 7736 |
| Static Moment Ratings-Ma [kN-m] | 0.27 |
| Static Moment Ratings-Ma [lb-in] | 2430 |
| Static Moment Ratings-Mb [kN-m] | 0.27 |
| Static Moment Ratings-Mb [lb-in] | 2430 |
| Static Moment Ratings-Mc [kN-m] | 0.44 |
| Static Moment Ratings-Mc [lb-in] | 3906 |
| Weight | |
| Weight-Block [kg] | 0.69 |
| Grease Fitting | |
| Grease Fitting Part Number | B-M6F |