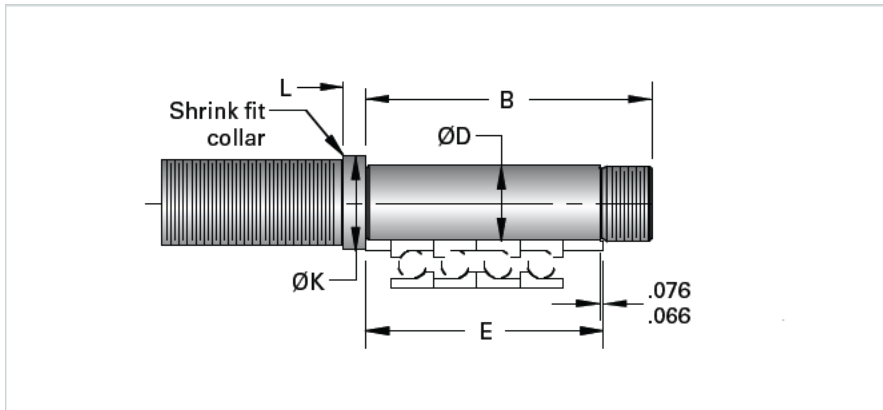


Type 5N, End Code 75

Call 800-321-7800 or visit us online at www.nookindustries.com to configure and order your Type 5N, End Code 75 today!



Product Info

Nominal Bearing Journal Size [mm]

75

Dimensions

B [mm]

232

D Maximum [mm]

75.012

D Minimum [mm]

74.993

E [mm]

198

K [mm]

90

L [mm]

18

Lock Nut

SFZ 75X2