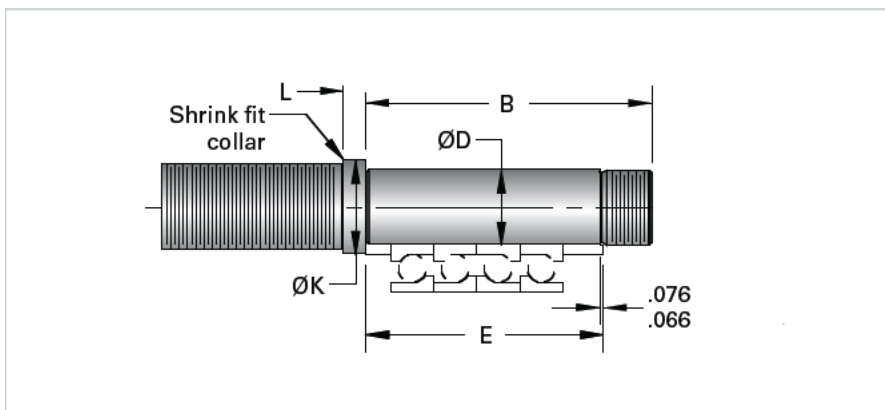


## Type 5N, End Code 45

Call 800-321-7800 or visit us online at [www.nookindustries.com](http://www.nookindustries.com) to configure and order your Type 5N, End Code 45 today!



### Product Info

Nominal Bearing Journal Size [mm]

45

### Dimensions

B [mm]

163

D Maximum [mm]

45.011

D Minimum [mm]

44.995

E [mm]

137

K [mm]

55

L [mm]

12

Lock Nut

SFZ 45X1.5