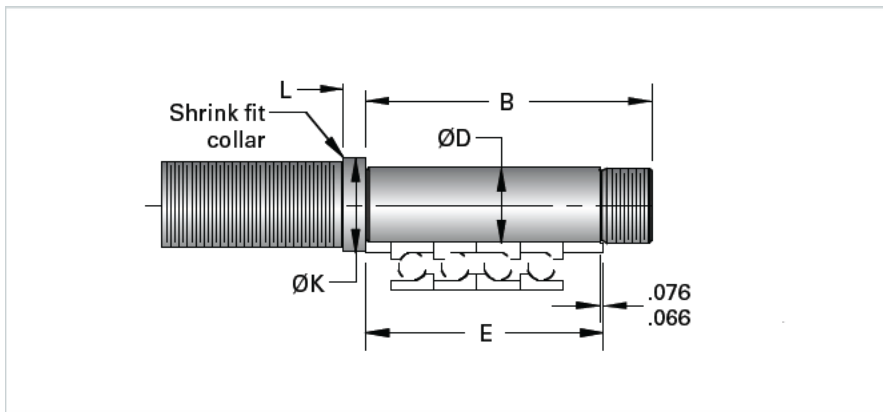


## Type 5N, End Code 20

Call 800-321-7800 or visit us online at [www.nookindustries.com](http://www.nookindustries.com) to configure and order your Type 5N, End Code 20 today!



### Product Info

Nominal Bearing Journal Size [mm]

20

### Dimensions

B [mm]

105

D Maximum [mm]

20.009

D Minimum [mm]

19.996

E [mm]

84

K [mm]

28

L [mm]

9

Lock Nut

SFZ 20X1