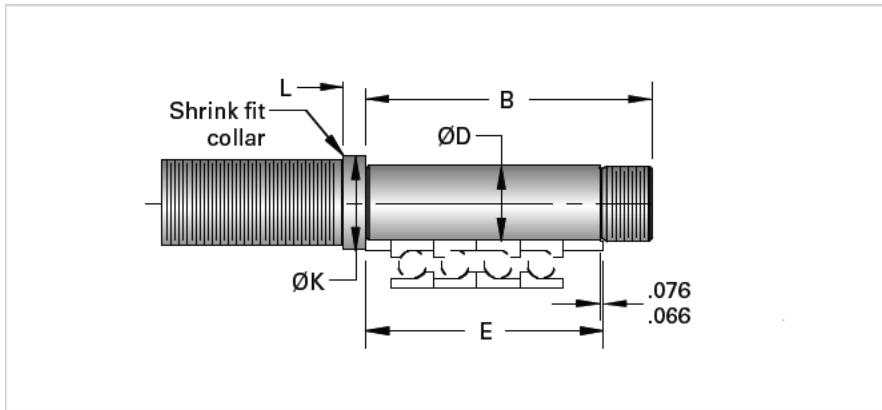


## Type 5N, End Code 12

Call 800-321-7800 or visit us online at [www.nookindustries.com](http://www.nookindustries.com) to configure and order your Type 5N, End Code 12 today!

**Product Info**

Nominal Bearing Journal Size [mm]

12

**Dimensions**

B [mm]

85

D Maximum [mm]

12.008

D Minimum [mm]

11.997

E [mm]

69

K [mm]

18

L [mm]

8

Lock Nut

SFZ 12X1