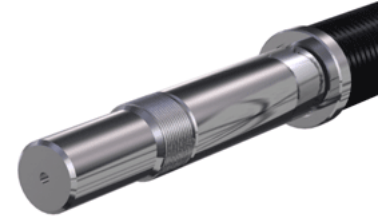
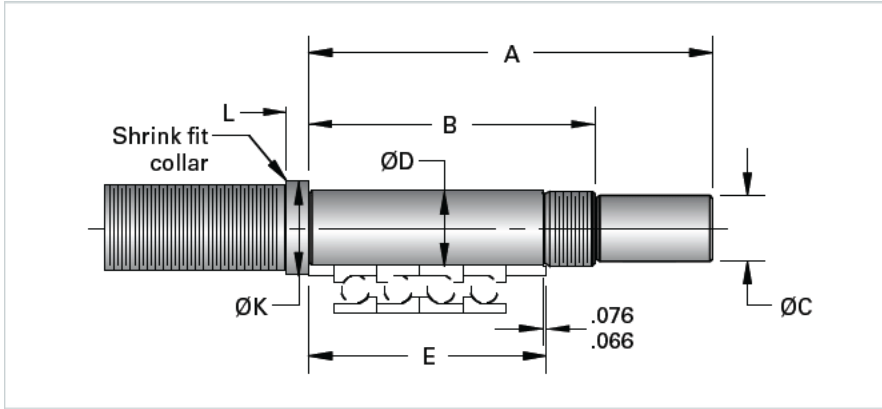


Type 5L, End Code 55

Call 800-321-7800 or visit us online at www.nookindustries.com to configure and order your Type 5L, End Code 55 today!



Product Info

Nominal Bearing Journal Size [mm]

55

Dimensions

A [mm]

265

B [mm]

184

C Maximum [mm]

50.00

C Minimum [mm]

49.97

D Maximum [mm]

55.012

D Minimum [mm]

54.993

E [mm]

154

K [mm]

65

L [mm]

14

Lock Nut

SFZ 55X2