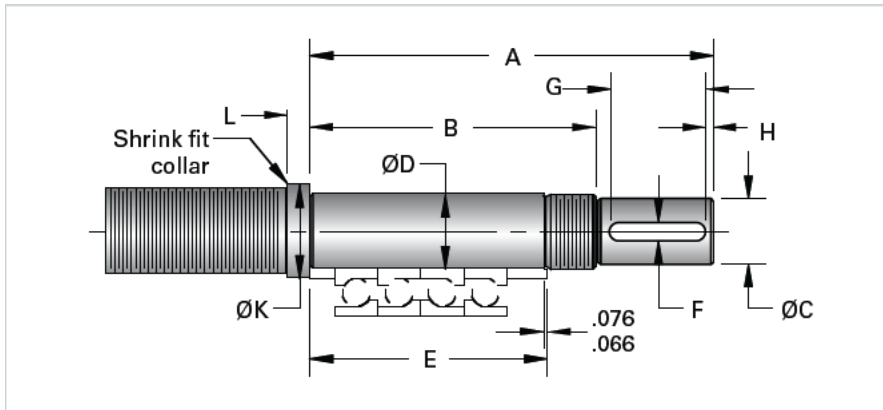


## Type 5K, End Code 55

Call 800-321-7800 or visit us online at [www.nookindustries.com](http://www.nookindustries.com) to configure and order your Type 5K, End Code 55 today!



### Product Info

Nominal Bearing Journal Size [mm]

55

### Dimensions

A [mm]

265

B [mm]

184

C Maximum [mm]

50

C Minimum [mm]

49.97

D Maximum [mm]

55.012

D Minimum [mm]

54.993

E [mm]

154

F [mm]

14

G [mm]

64

H [mm]

6

K [mm]

65

L [mm]

14

Lock Nut

SFZ 55X2