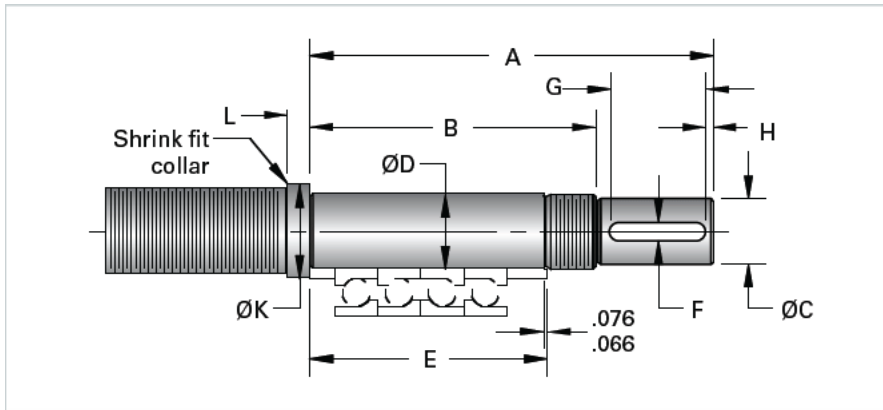


Type 5K, End Code 40

Call 800-321-7800 or visit us online at www.nookindustries.com to configure and order your Type 5K, End Code 40 today!



Product Info

Nominal Bearing Journal Size [mm]

40

Dimensions

A [mm]

216

B [mm]

153

C Maximum [mm]

35

C Minimum [mm]

34.97

D Maximum [mm]

40.011

D Minimum [mm]

44.995

E [mm]

127

F [mm]

10

G [mm]

51

H [mm]

4

K [mm]

50

L [mm]

12

Lock Nut

SFZ 40X1.5