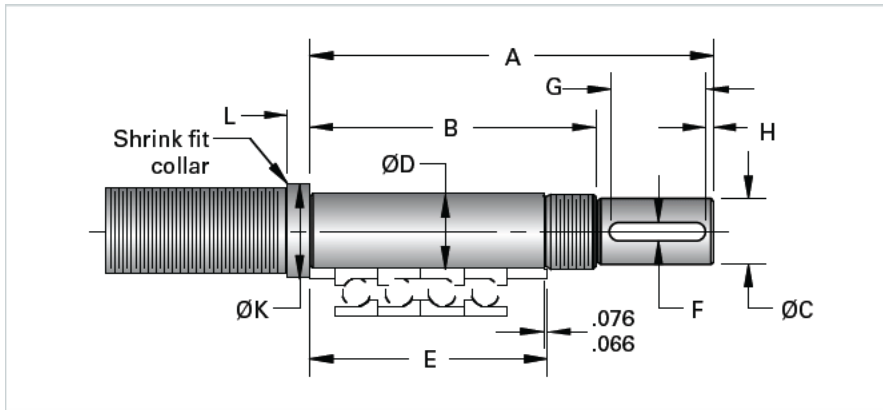


## Type 5K, End Code 25

Call 800-321-7800 or visit us online at [www.nookindustries.com](http://www.nookindustries.com) to configure and order your Type 5K, End Code 25 today!



### Product Info

Nominal Bearing Journal Size [mm]

25

### Dimensions

A [mm]

170

B [mm]

119

C Maximum [mm]

20

C Minimum [mm]

19.97

D Maximum [mm]

25.009

D Minimum [mm]

24.996

E [mm]

95

F [mm]

6

G [mm]

41

H [mm]

5

K [mm]

32

L [mm]

10

Lock Nut

SFZ 25X1.5