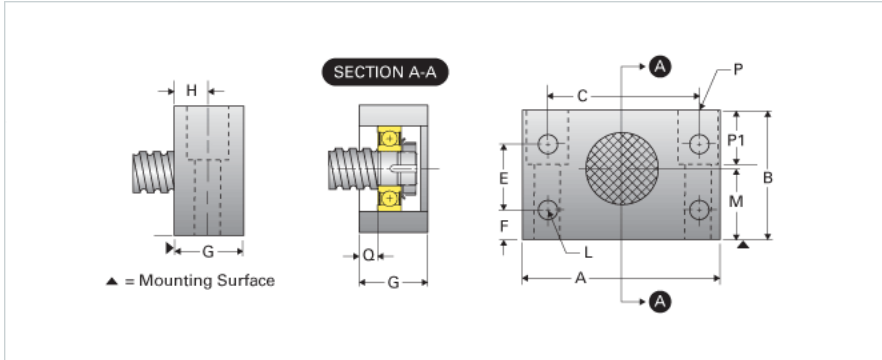


EZZE-MOUNT EZM-4060

Call 800-321-7800 or visit us online at www.nookindustries.com to configure and order your EZZE-MOUNT EZM-4060 today!



Product Info

Part Number	EZM-4060
Machined End Code	60
Nominal Bearing Journal Size [mm]	60

Dimensions

A [in]	10.00
B [in]	7.50
C [in]	8.00
E [in]	2.50
F [in]	1.50
G [in]	4.19
H [in]	1.03
L Holes [Number of Holes]	6
L Thru [in]	1.03
M [in]	4.000
P C'Bore [in]	1.56
P P1 [in]	4.00
Q [in]	1.22
P - Bolt Size (2 or 4)	1 x 5(4)
P-Thru [in]	1.03

Weight

Weight [lb]	57.50
-------------	-------