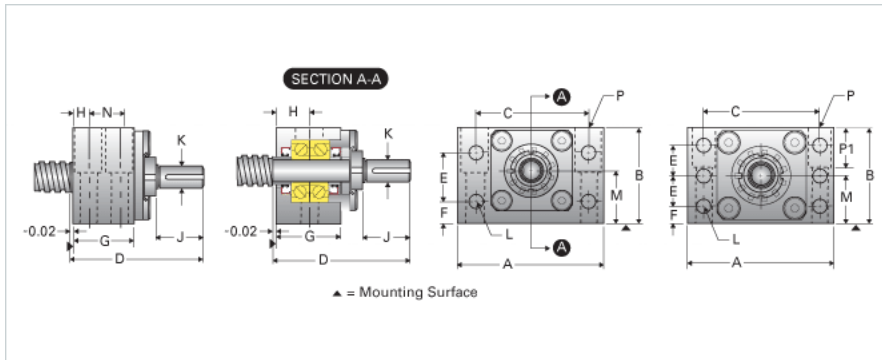
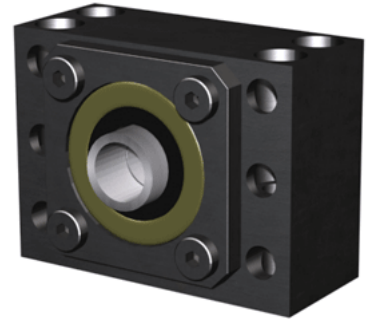


## EZZE-MOUNT EZM-3060

Call 800-321-7800 or visit us online at [www.nookindustries.com](http://www.nookindustries.com) to configure and order your EZZE-MOUNT EZM-3060 today!



### Product Info

|                                   |          |
|-----------------------------------|----------|
| Part Number                       | EZM-3060 |
| Machined End Code                 | 60       |
| Nominal Bearing Journal Size [mm] | 60       |

### Dimensions

|                               |          |
|-------------------------------|----------|
| A [in]                        | 10.00    |
| B [in]                        | 7.50     |
| C [in]                        | 8.00     |
| D [in]                        | 9.22     |
| E [in]                        | 2.50     |
| F [in]                        | 1.50     |
| G [in]                        | 4.19     |
| H [in]                        | 1.03     |
| J [in]                        | 3.68     |
| K Shaft Diameter Maximum [in] | 2.250    |
| K Shaft Diameter Minimum [in] | 2.249    |
| L Holes [Number of Holes]     | 6        |
| L Thru [in]                   | 1.03     |
| M [in]                        | 4.000    |
| N [in]                        | 2.13     |
| P C'Bore [in]                 | 1.56     |
| P P1 [in]                     | 4.00     |
| Q [in]                        | 1.22     |
| P - Bolt Size (2 or 4)        | 1 x 5(4) |
| P-Thru [in]                   | 1.03     |

### Weight

|             |       |
|-------------|-------|
| Weight [lb] | 71.60 |
|-------------|-------|