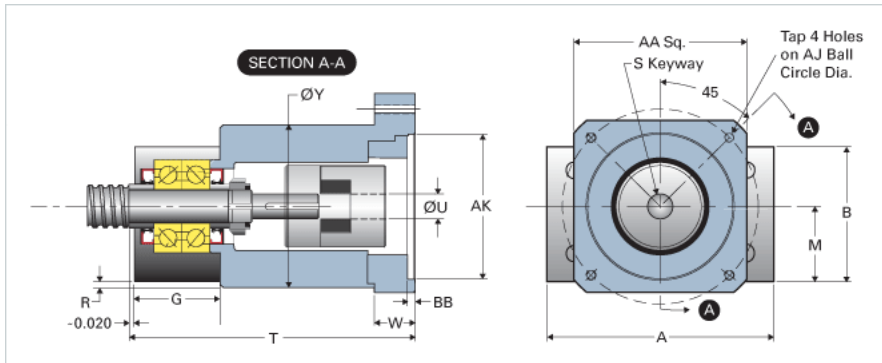
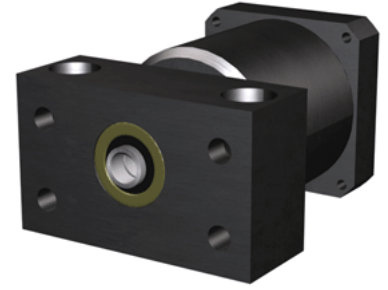


EZZE-MOUNT EZM-3017-34

Call 800-321-7800 or visit us online at www.nookindustries.com to configure and order your EZZE-MOUNT EZM-3017-34 today!



Product Info

Part Number	EZM-3017-34
Reference Code	U3
Machined End Code	17
Nema Frame Reference	34
Nominal Bearing Journal Size [mm]	17

Dimensions

A [in]	4.50
AA [in]	3.25
AJ [in]	3.875
AK Maximum [in]	2.882
AK Minimum [in]	2.878
B [in]	2.69
BB [in]	0.16
[in]	3.38
D [in]	3.65
E [in]	1.38
F [in]	0.62
G [in]	1.69
H [in]	0.84
J [in]	1.30
K Shaft Diameter Maximum [in]	0.500
K Shaft Diameter Minimum [in]	0.499
L Holes [Number of Holes]	4
L Thru [in]	0.410
M [in]	1.500
N	-
Q [in]	0.38
R [in]	0.13
S [in]	0.125
T [in]	5.56
U [in]	0.50
W [in]	0.81
Y [in]	3.12
P - Bolt Count	2
P - Bolt Size	1/2 x 2 1/4
P - C'Bore [in]	0.88
P - P1 [in]	1.25
P - Thru [in]	0.53
TAP	#10-32