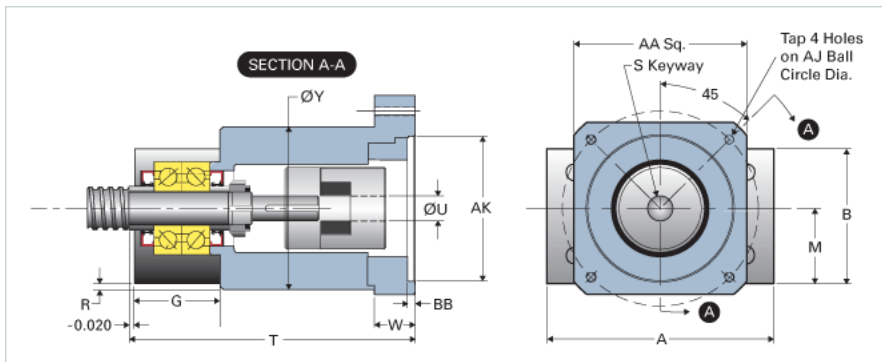


## EZZE-MOUNT EZM-3010-23

Call 800-321-7800 or visit us online at [www.nookindustries.com](http://www.nookindustries.com) to configure and order your EZZE-MOUNT EZM-3010-23 today!



### Product Info

Part Number	EZM-3010-23
Reference Code	U2
Machined End Code	10
Nema Frame Reference	23
Nominal Bearing Journal Size [mm]	10

### Dimensions

A [in]	2.75
AA [in]	2.50
AJ [in]	2.625
AK Maximum [in]	1.506
AK Minimum [in]	1.503
B [in]	2.00
BB [in]	0.19
[in]	2.00
D [in]	2.50
E [in]	1.38
F [in]	0.31
G [in]	1.19
H [in]	0.56
J [in]	0.69
K Shaft Diameter Maximum [in]	0.312
K Shaft Diameter Minimum [in]	0.311
L Holes [Number of Holes]	4
L Thru [in]	0.028
M [in]	1.000
N	-
Q [in]	0.38
R [in]	0.26
S [in]	0.125
T [in]	4.10
U [in]	0.38
W [in]	0.38
Y [in]	2.50
P - Bolt Count	2
P - Bolt Size	5/16 x 2
P - C'Bore [in]	0.50
P - P1 [in]	0.56
P - Thru [in]	0.34
TAP	#10-32