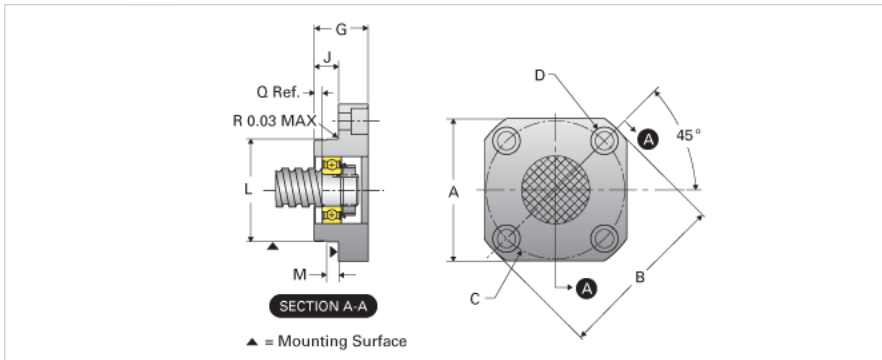
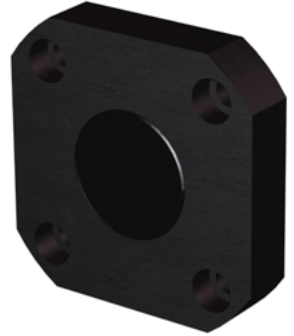


EZZE-MOUNT EZF-4017

Call 800-321-7800 or visit us online at www.nookindustries.com to configure and order your EZZE-MOUNT EZF-4017 today!



Product Info

| | |
|-----------------------------------|----------|
| Part Number | EZF-4017 |
| Machined End Code | 17 |
| Nominal Bearing Journal Size [mm] | 17 |

Dimensions

| | |
|--------------------|--------|
| A [in] | 3.38 |
| B - Diameter [in] | 4.03 |
| C Bolt Circle [in] | 3.250 |
| C Bore [in] | 0.53 |
| D Thru [in] | 0.344 |
| G [in] | 1.32 |
| J [in] | 0.63 |
| L Maximum [in] | 2.5193 |
| L Minimum [in] | 2.5185 |
| M [in] | 0.312 |
| Q [in] | 0.20 |

Weight

| | |
|-------------|------|
| Weight [lb] | 2.75 |
|-------------|------|