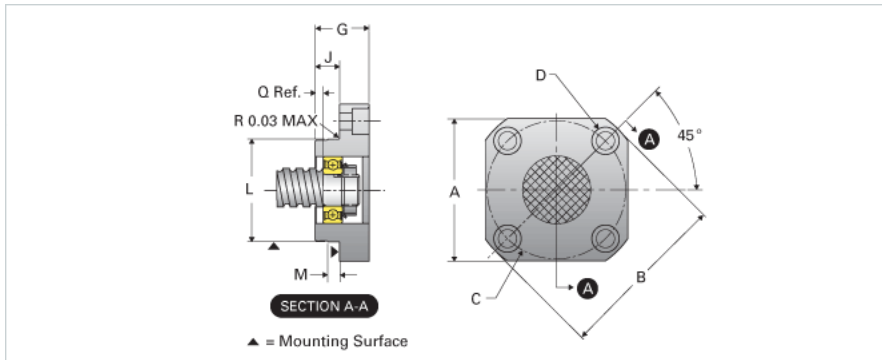
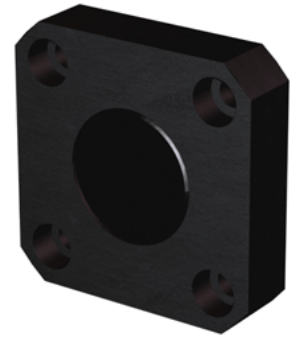


EZFE-MOUNT EZF-4012

Call 800-321-7800 or visit us online at www.nookindustries.com to configure and order your EZFE-MOUNT EZF-4012 today!



Product Info

Part Number	EZF-4012
Machined End Code	12
Nominal Bearing Journal Size [mm]	12

Dimensions

A [in]	2.50
B - Diameter [in]	3.17
C Bolt Circle [in]	2.500
C Bore [in]	0.44
D Thru [in]	0.266
G [in]	1.15
J [in]	0.55
L Maximum [in]	1.8894
L Minimum [in]	1.8888
M [in]	0.312
Q [in]	0.13

Weight

Weight [lb]	1.31
-------------	------